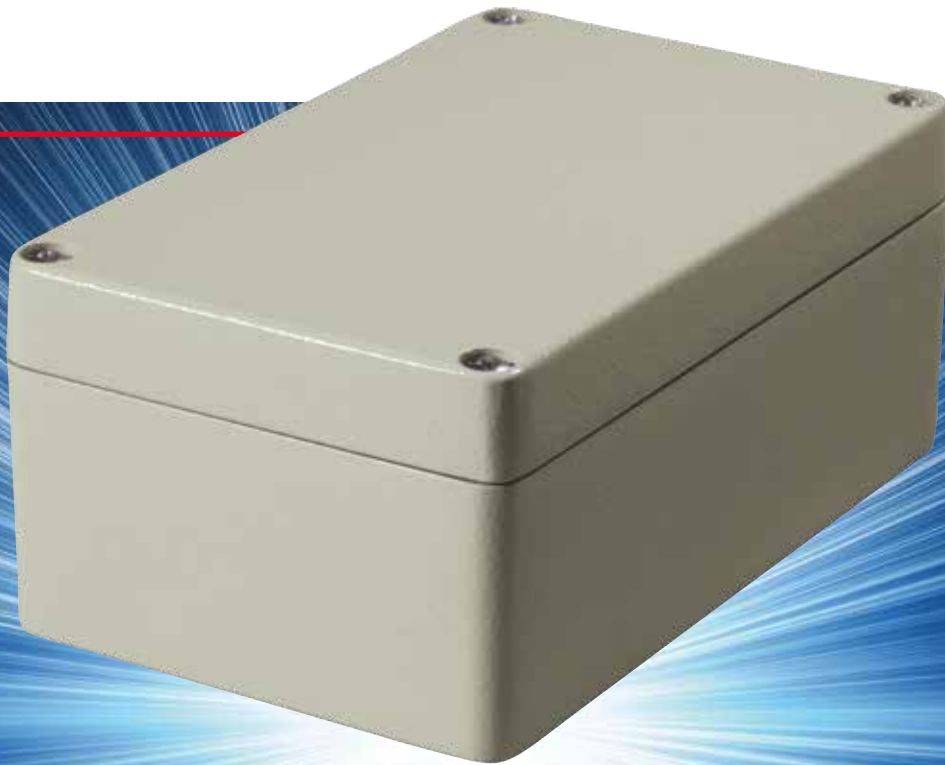




Our *passion* is enclosures.



# aluKOM

Standard enclosures made of aluminium

# Technical data

## aluKOM



Compatible with conventional brands



Hinge



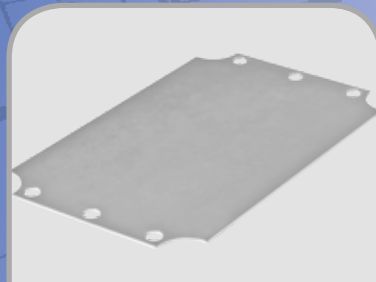
External mounting feet V2A



Hold hinge



Internal hinge V2A



Mounting plate



Lid support



Mounting rail and terminals

**Enclosure:** Die-cast aluminium EN AN-44300 DIN EN 1706 (GD AL SI 12 / DIN 1725). 1° mould slope for casting ejection, internal measures diminishing circulatory towards enclosure bottom by 1°.

**Components:** Fastening threads M4/M6 in the enclosure bottom.

**Fastening:** Separate screw holes.

**Ingress protection:** IP66 / EN 60529

**Gasket:** TPE moulded gasket, silicone-free (-40°C to +120°C)  
Chloroprene (CR) gasket (-30°C to +90°C)

**Lid screws:** Stainless steel 1.4567 (V2A), captive

**Surface:** Powder coating RAL 7032, silky grey

### Optionally available:

**External mounting feet:** Stainless steel 1.4305 (V2A)

**Mounting plates:** Sheet steel, galvanised

**Gasket:** Silicone gasket (-50°C to +140°C)  
EMC gasket (-55°C to +160°C)

**Surface:** Corrosion protection, special colours

**Further options, see delivery overview.**

Delivery overview aluKOM

Type	Mat. no.	L	W	H	D	E	g	M	D	A	L	T	HS	IS	S	DH	EMC
AK 060	106.060.000	50	45	30	40	35	80	○	●	○	●	●	○	○	○	○	○
* AK 061	106.061.000	58	64	36	46	36	160	○	●	○	●	●	●	○	○	○	○
* AK 062	106.062.000	98	64	36	86	36	220	○	●	○	●	●	●	○	○	○	○
* AK 063	106.063.000	150	64	36	138	36	340	○	●	○	●	●	●	○	○	○	○
* AK 081	106.081.000	75	80	57	63	52	290	●	●	○	●	●	●	○	○	○	●
* AK 082	106.082.000	125	80	57	113	52	440	●	●	○	●	●	●	○	○	○	●
* AK 083	106.083.000	175	80	57	163	52	530	●	●	○	●	●	●	○	○	○	●
AK 084	106.084.000	250	80	57	238	52	720	●	●	○	●	●	●	○	○	○	●
* AK 120	106.120.000	122	120	81	106	82	950	●	●	●	●	●	●	●	○	●	●
* AK 121	106.121.000	122	120	91	106	82	970	●	●	●	●	●	●	●	○	●	●
* AK 122	106.122.000	220	120	81	204	82	1.420	●	●	●	●	●	●	●	○	●	●
* AK 123	106.123.000	220	120	91	204	82	1.450	●	●	●	●	●	●	●	○	●	●
AK 124	106.124.000	360	120	81	344	82	1.860	●	●	●	●	●	●	●	○	●	●
* AK 161	106.161.000	160	160	90	140	110	1.410	●	●	●	●	●	●	●	●	●	●
* AK 162	106.162.000	260	160	90	240	110	1.950	●	●	●	●	●	●	●	●	●	●
AK 163	106.163.000	360	160	90	340	110	2.540	●	●	●	●	●	●	●	●	●	●
AK 164	106.164.000	560	160	90	540	110	4.310	●	●	●	●	●	●	●	●	●	●
AK 231	106.231.000	200	230	110	180	180	2.720	●	●	●	●	●	●	●	●	●	●
AK 232	106.232.000	280	230	110	260	180	3.850	●	●	●	●	●	●	●	●	●	●
AK 233	106.233.000	330	230	110	310	180	4.270	●	●	●	●	●	●	●	●	●	●
AK 234	106.234.000	400	230	110	380	180	4.880	●	●	●	●	●	●	●	●	●	●
AK 235	106.235.000	600	230	110	580	180	6.380	●	●	●	●	●	●	●	●	●	●
AK 311	106.311.000	402,5	310	110	382	261	6.300	●	●	●	●	●	●	●	●	●	●
AK 312	106.312.000	600	310	110	580	261	8.480	●	●	●	●	●	●	●	●	●	●

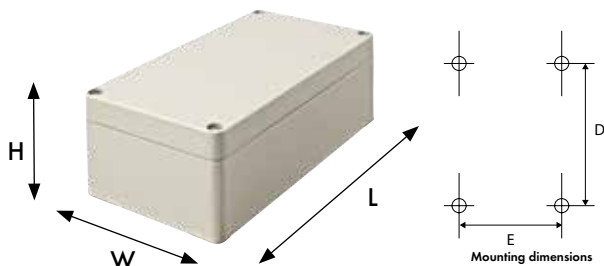
\* TPE moulded gasket

□ Standard ● Available ○ Not available

Approvals:



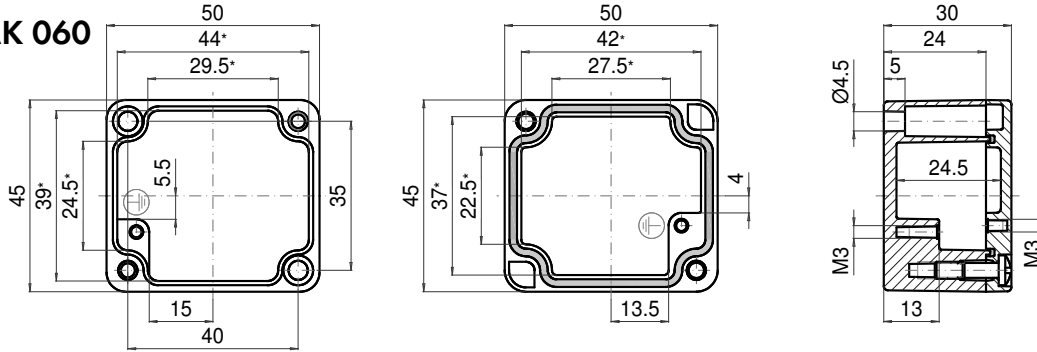
Extended approvals:



# ROLEC Attachment and mounting dimensions

## aluKOM

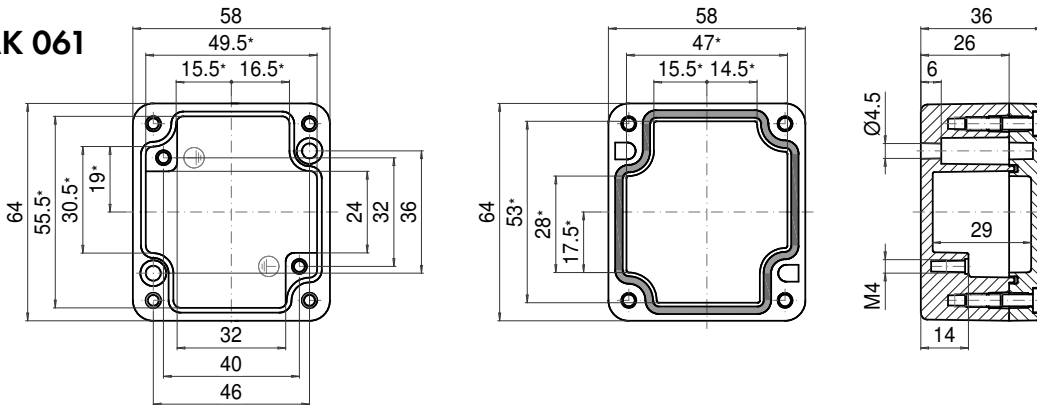
### AK 060



\* Please note: Mould slope for casting ejection, dimensions in the amount of the bottom!

Maximum number of cable glands per enclosure side			
A	B	C	D
PG 7	1	1	
PG 9	1	1	
PG 11			
PG 13,5			
PG 16			
PG 21			
PG 29			
PG 36			
PG 42			
PG 48			

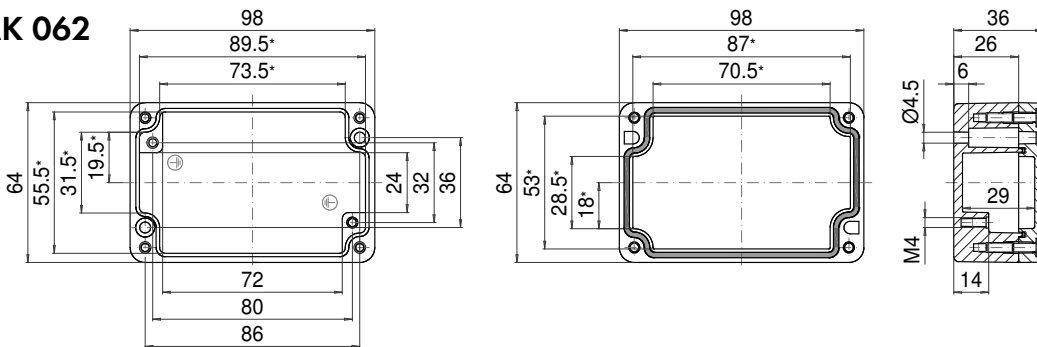
### AK 061



\* Please note: Mould slope for casting ejection, dimensions in the amount of the bottom!

Maximum number of cable glands per enclosure side			
A	B	C	D
PG 7	2	1	
PG 9	1	1	
PG 11			
PG 13,5			
PG 16			
PG 21			
PG 29			
PG 36			
PG 42			
PG 48			

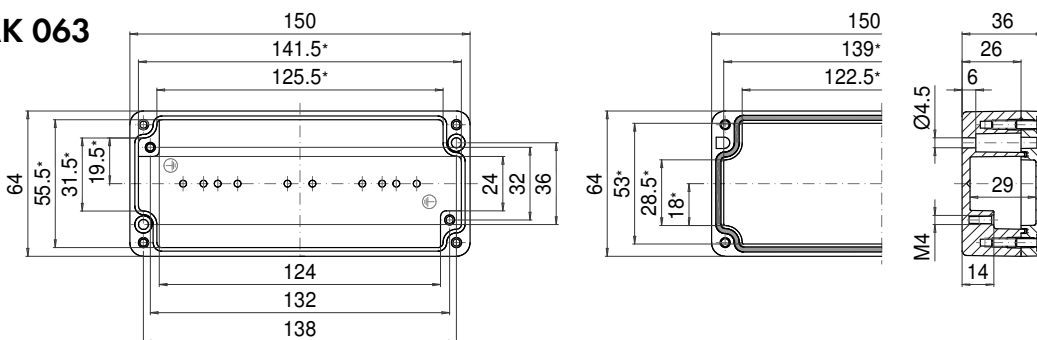
### AK 062



\* Please note: Mould slope for casting ejection, dimensions in the amount of the bottom!

Maximum number of cable glands per enclosure side			
A	B	C	D
PG 7	4	1	
PG 9	3	1	
PG 11			
PG 13,5			
PG 16			
PG 21			
PG 29			
PG 36			
PG 42			
PG 48			

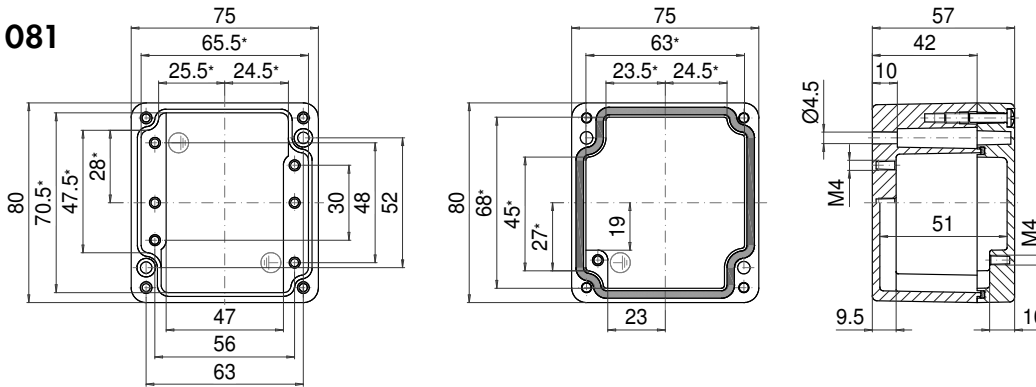
### AK 063



\* Please note: Mould slope for casting ejection, dimensions in the amount of the bottom!

Maximum number of cable glands per enclosure side			
A	B	C	D
PG 7	6	1	
PG 9	5	1	
PG 11			
PG 13,5			
PG 16			
PG 21			
PG 29			
PG 36			
PG 42			
PG 48			

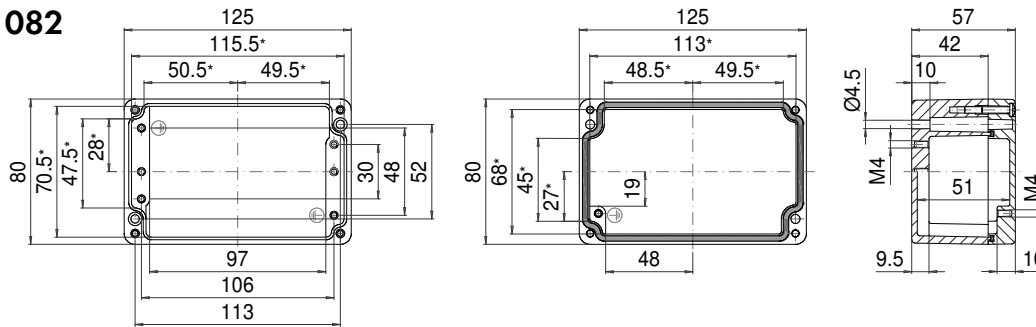
### AK 081



\* Please note: Mould slope for casting ejection, dimensions in the amount of the bottom!

Maximum number of cable glands per enclosure side			
A	B	C	D
PG 7	4	3	
M 16	PG 9	4	2
	PG 11	2	2
M 20	PG 13,5	2	2
	PG 16	1	1
M 25	PG 21		
M 32	PG 29		
M 40	PG 36		
M 50	PG 42		
M 63	PG 48		

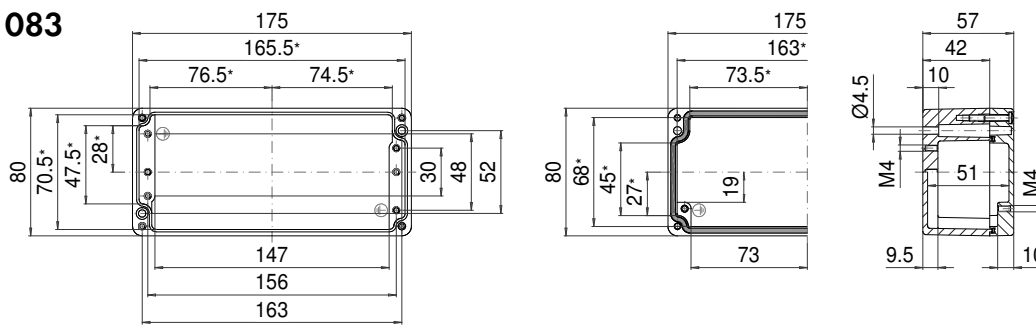
### AK 082



\* Please note: Mould slope for casting ejection, dimensions in the amount of the bottom!

Maximum number of cable glands per enclosure side			
A	B	C	D
PG 7	10	3	
M 16	PG 9	8	2
	PG 11	4	2
M 20	PG 13,5	4	2
	PG 16	3	1
M 25	PG 21		
M 32	PG 29		
M 40	PG 36		
M 50	PG 42		
M 63	PG 48		

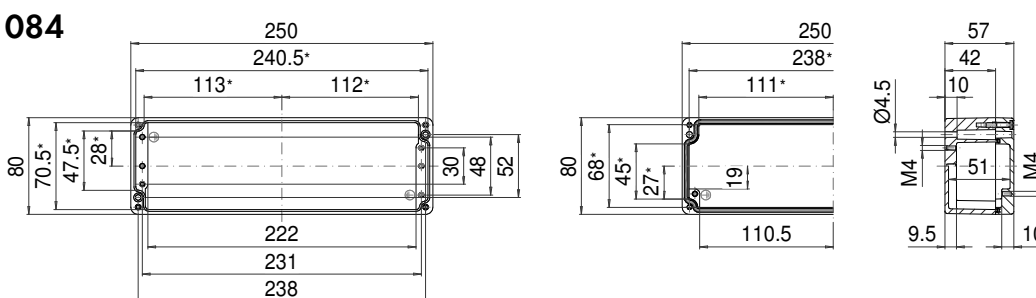
### AK 083



\* Please note: Mould slope for casting ejection, dimensions in the amount of the bottom!

Maximum number of cable glands per enclosure side			
A	B	C	D
PG 7	14	3	
M 16	PG 9	11	2
	PG 11	7	2
M 20	PG 13,5	6	2
	PG 16	5	1
M 25	PG 21		
M 32	PG 29		
M 40	PG 36		
M 50	PG 42		
M 63	PG 48		

### AK 084

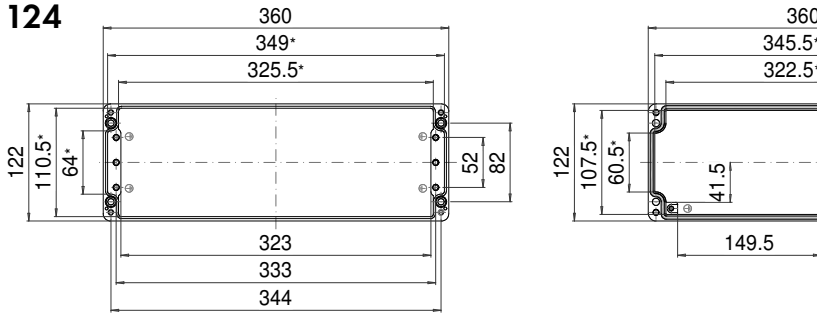


\* Please note: Mould slope for casting ejection, dimensions in the amount of the bottom!

Maximum number of cable glands per enclosure side			
A	B	C	D
PG 7	22	3	
M 16	PG 9	15	2
	PG 11	10	2
M 20	PG 13,5	9	2
	PG 16	7	1
M 25	PG 21		
M 32	PG 29		
M 40	PG 36		
M 50	PG 42		
M 63	PG 48		



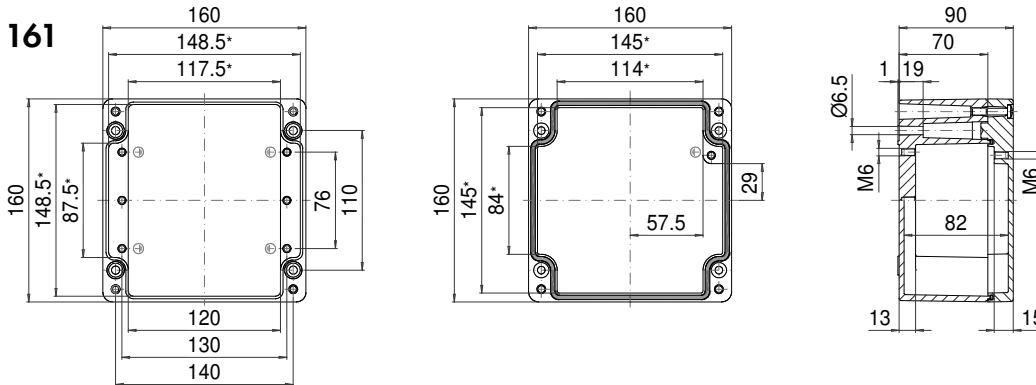
### AK 124



\* Please note: Mould slope for casting ejection, dimensions in the amount of the bottom!

Maximum number of cable glands per enclosure side			
A	B	C	D
PG 7	38	3	
M 16	PG 9	34	8
	PG 11	26	6
M 20	PG 13,5	24	4
	PG 16	20	4
M 25	PG 21	9	2
M 32	PG 29	6	1
M 40	PG 36		1
M 50	PG 42		
M 63	PG 48		

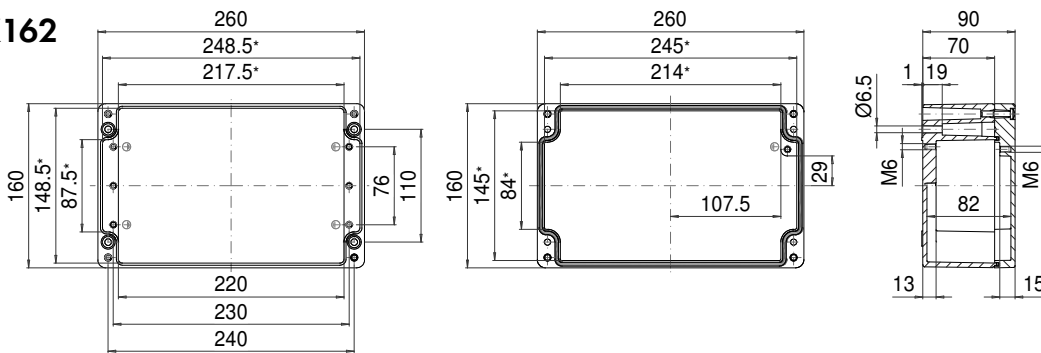
### AK 161



\* Please note: Mould slope for casting ejection, dimensions in the amount of the bottom!

Maximum number of cable glands per enclosure side			
A	B	C	D
PG 7	21	12	
M 16	PG 9	15	8
	PG 11	10	6
M 20	PG 13,5	10	6
	PG 16	8	5
M 25	PG 21	4	2
M 32	PG 29	2	2
M 40	PG 36	2	1
M 50	PG 42	1	
M 63	PG 48		

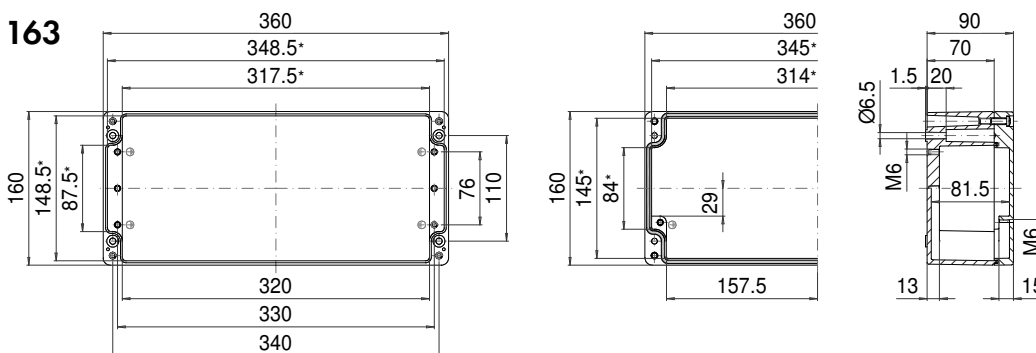
### AK162



\* Please note: Mould slope for casting ejection, dimensions in the amount of the bottom!

Maximum number of cable glands per enclosure side			
A	B	C	D
PG 7	36	12	
M 16	PG 9	30	8
	PG 11	18	6
M 20	PG 13,5	18	6
	PG 16	14	5
M 25	PG 21	7	2
M 32	PG 29	4	2
M 40	PG 36	3	1
M 50	PG 42	3	
M 63	PG 48		

### AK 163



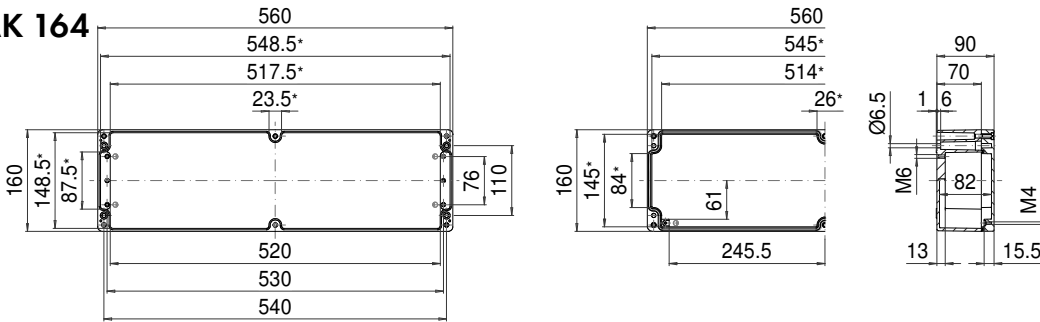
\* Please note: Mould slope for casting ejection, dimensions in the amount of the bottom!

Maximum number of cable glands per enclosure side			
A	B	C	D
PG 7	54	12	
M 16	PG 9	42	8
	PG 11	28	6
M 20	PG 13,5	26	6
	PG 16	20	5
M 25	PG 21	10	2
M 32	PG 29	6	2
M 40	PG 36	5	1
M 50	PG 42	4	
M 63	PG 48		

# ROLEC Attachment and mounting dimensions

## aluKOM

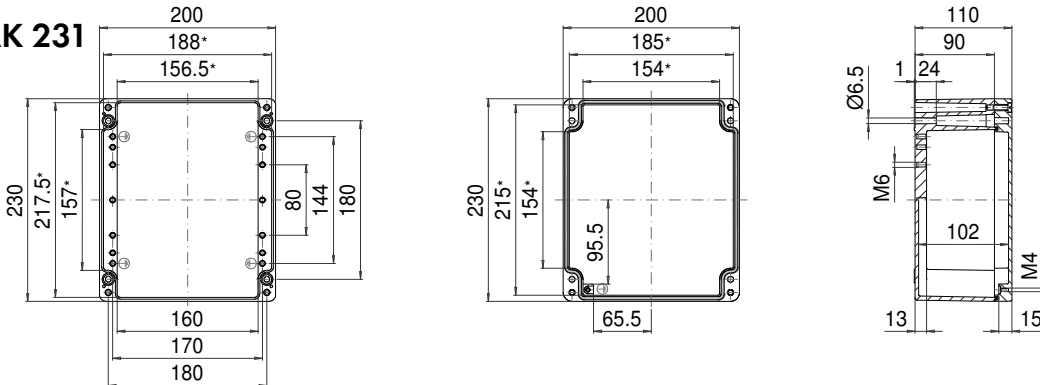
### AK 164



\* Please note: Mould slope for casting ejection, dimensions in the amount of the bottom!

Maximum number of cable glands per enclosure side			
A	B	C/D	A/B/C/D
M 16	PG 7	84	12
	PG 9	66	8
	PG 11	44	6
M 20	PG 13,5	40	6
	PG 16	32	5
M 25	PG 21	16	2
M 32	PG 29	10	2
M 40	PG 36	8	1
M 50	PG 42	6	
M 63	PG 48		

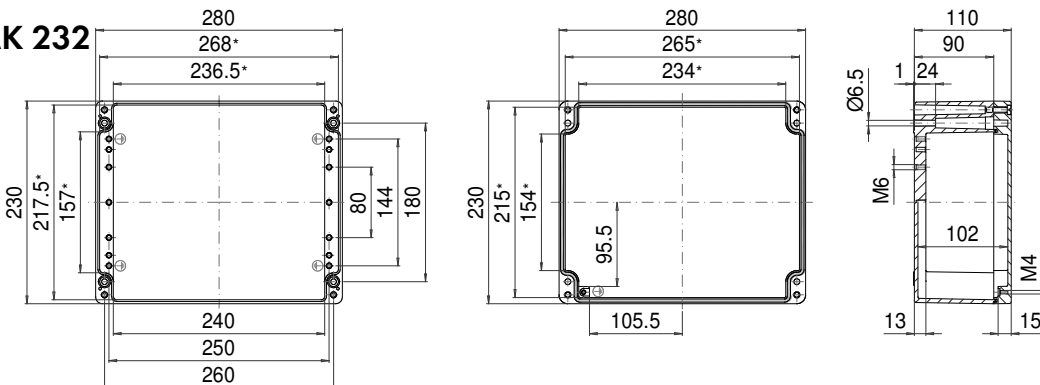
### AK 231



\* Please note: Mould slope for casting ejection, dimensions in the amount of the bottom!

Maximum number of cable glands per enclosure side			
A	B	C/D	A/B/C/D
M 16	PG 7	36	32
	PG 9	28	24
	PG 11	21	18
M 20	PG 13,5	18	12
	PG 16	10	10
M 25	PG 21	8	8
M 32	PG 29	4	4
M 40	PG 36	3	3
M 50	PG 42	2	2
M 63	PG 48	2	2

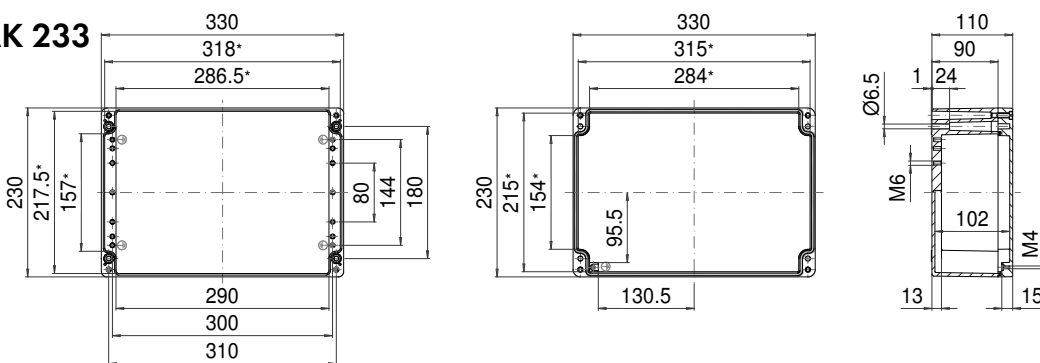
### AK 232



\* Please note: Mould slope for casting ejection, dimensions in the amount of the bottom!

Maximum number of cable glands per enclosure side			
A	B	C/D	A/B/C/D
M 16	PG 7	52	32
	PG 9	36	24
	PG 11	30	18
M 20	PG 13,5	27	12
	PG 16	16	10
M 25	PG 21	12	8
M 32	PG 29	6	4
M 40	PG 36	4	2
M 50	PG 42	3	2
M 63	PG 48	3	2

### AK 233

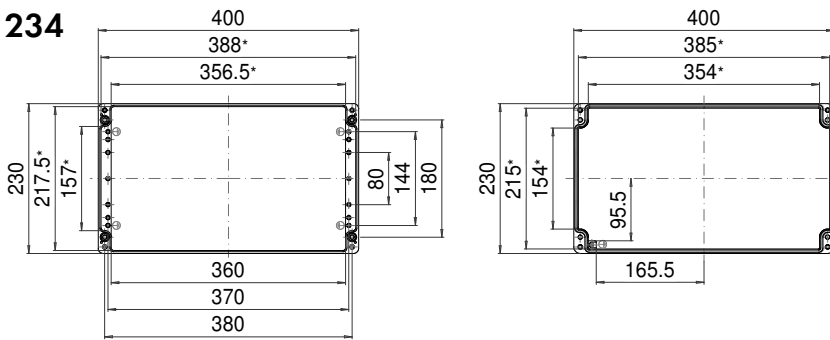


\* Please note: Mould slope for casting ejection, dimensions in the amount of the bottom!

Maximum number of cable glands per enclosure side			
A	B	C/D	A/B/C/D
M 16	PG 7	64	32
	PG 9	52	24
	PG 11	36	18
M 20	PG 13,5	33	12
	PG 16	29	10
M 25	PG 21	14	8
M 32	PG 29	7	3
M 40	PG 36	5	2
M 50	PG 42	4	2
M 63	PG 48	4	2



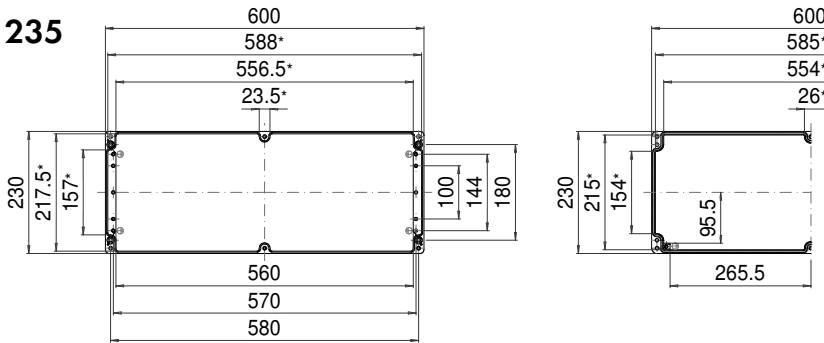
### AK 234



\* Please note: Mould slope for casting ejection, dimensions in the amount of the bottom!

Maximum number of cable glands per enclosure side			
A	B	C	D
PG 7	80	32	
M 16	PG 9	57	24
	PG 11	45	18
M 20	PG 13,5	39	12
	PG 16	26	10
M 25	PG 21	18	8
M 32	PG 29	10	4
M 40	PG 36	6	2
M 50	PG 42	5	2
M 63	PG 48	5	2

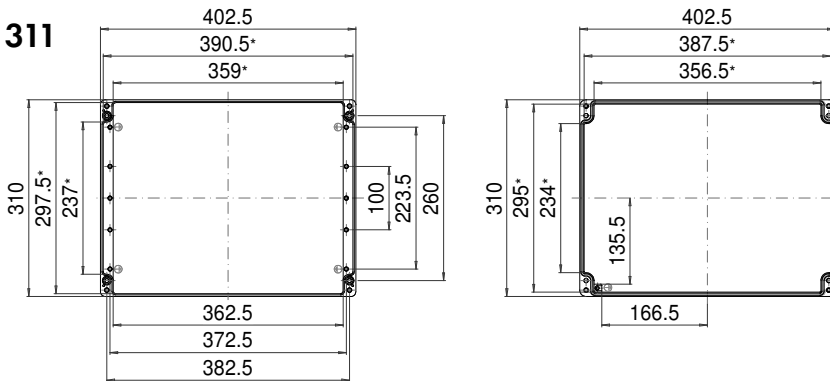
### AK 235



\* Please note: Mould slope for casting ejection, dimensions in the amount of the bottom!

Maximum number of cable glands per enclosure side			
A	B	C	D
PG 7	120	32	
M 16	PG 9	96	24
	PG 11	66	18
M 20	PG 13,5	60	12
	PG 16	36	10
M 25	PG 21	24	8
M 32	PG 29	14	3
M 40	PG 36	8	2
M 50	PG 42	8	2
M 63	PG 48	6	2

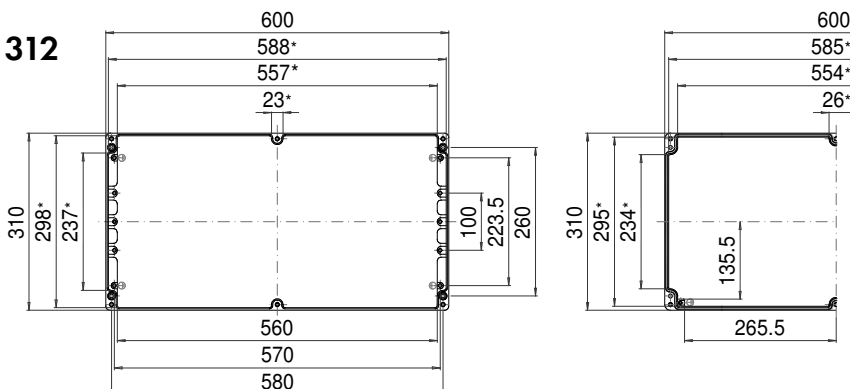
### AK 311



\* Please note: Mould slope for casting ejection, dimensions in the amount of the bottom!

Maximum number of cable glands per enclosure side			
A	B	C	D
PG 7	76	42	
M 16	PG 9	57	36
	PG 11	45	27
M 20	PG 13,5	39	20
	PG 16	26	16
M 25	PG 21	18	12
M 32	PG 29	10	5
M 40	PG 36	6	4
M 50	PG 42	5	3
M 63	PG 48	3	3

### AK 312



\* Please note: Mould slope for casting ejection, dimensions in the amount of the bottom!

Maximum number of cable glands per enclosure side			
A	B	C	D
PG 7	120	42	
M 16	PG 9	96	36
	PG 11	66	27
M 20	PG 13,5	60	20
	PG 16	36	16
M 25	PG 21	24	12
M 32	PG 29	14	5
M 40	PG 36	10	4
M 50	PG 42	8	3
M 63	PG 48	6	3

