

SYNTHESIS THETA AR

Automatic sachet lines



Pharma solutions

Complete Automatic Lines



SINCE 1965

SYNTHESIS THETA AR

Automatic sachet lines

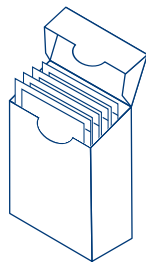
Complete automatic high-speed sachet lines entirely designed and constructed by Universal Pack composed of THETA sachet machines, counting & stacking groups and horizontal cartoning machines equipped with suitable dosing systems for the packaging of powders, granules, liquids in sachets and subsequent automatic introduction into pre-glued cartons.



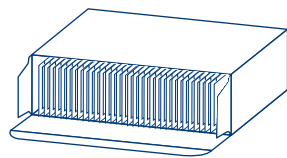
Main features

- Low sealing temperature
- High output sealing technology
- Modular sachet and carton format change
- Tool-free disassembly
- Total flexibility in counts
- Monoblock integrated line for maximum OEE
- Zero maintenance pick'n'place system

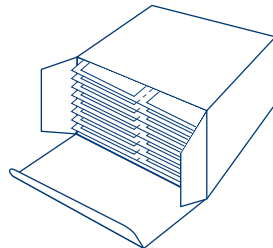
Box Style



Head opening

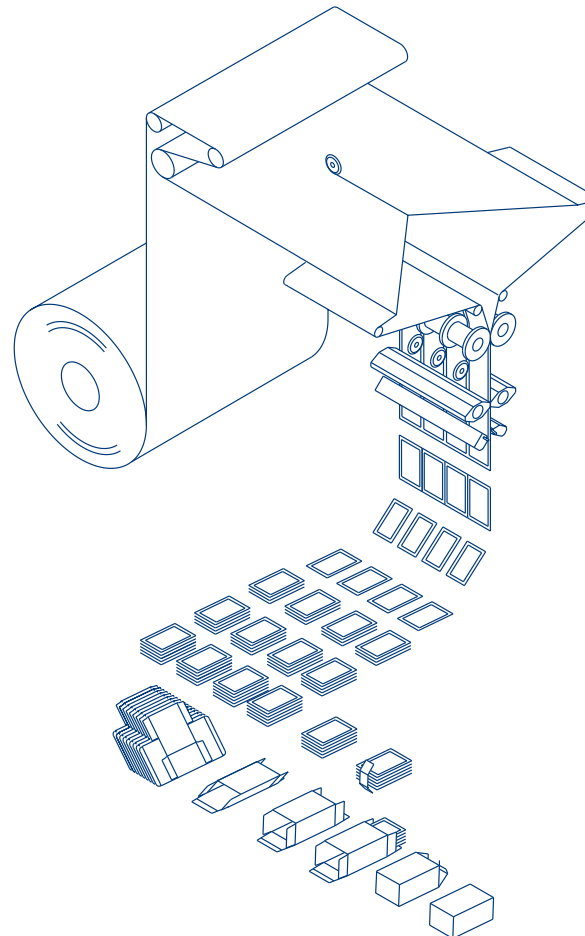


Side opening with on edge placement



Side opening

Functional diagram



SINCE 1965

www.universalpack.it