

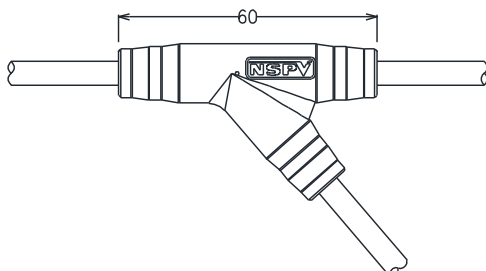
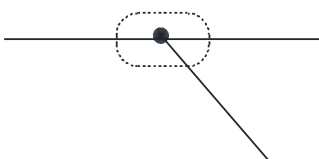
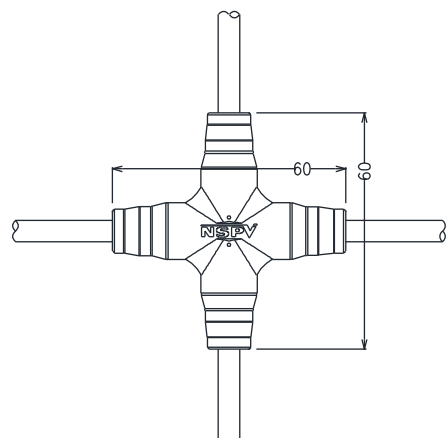
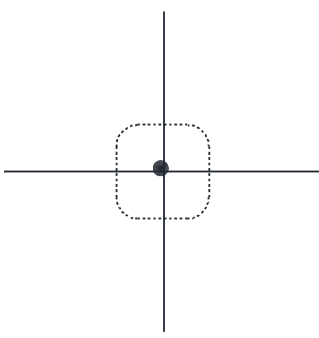
1500VDC光伏线束

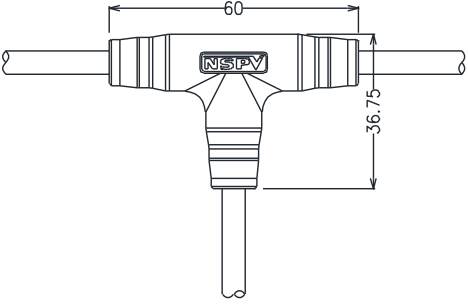
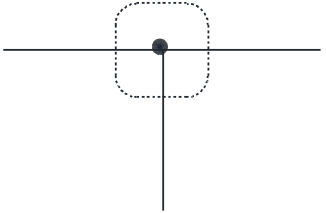
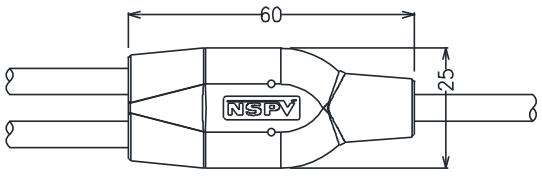
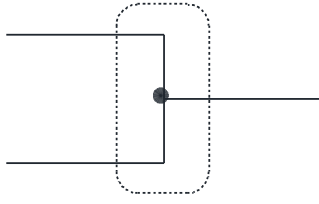
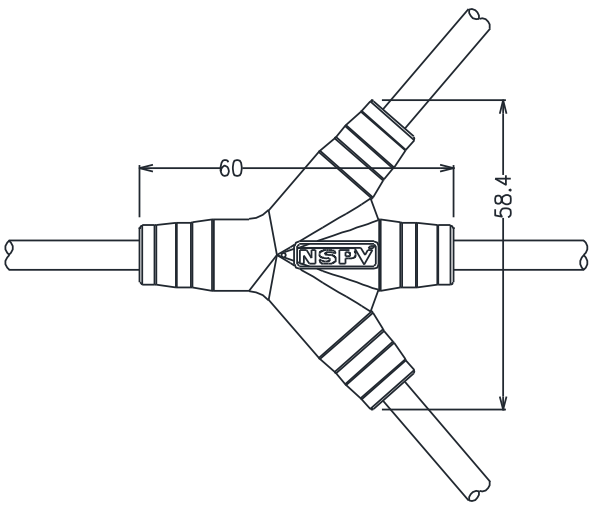
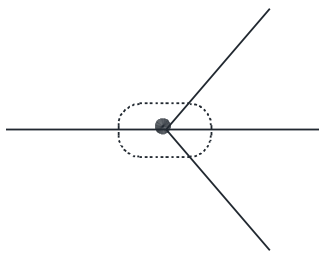
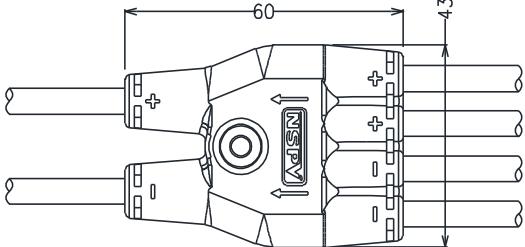
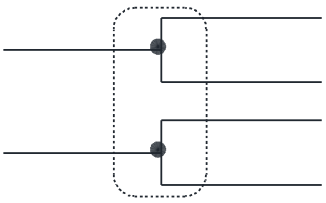
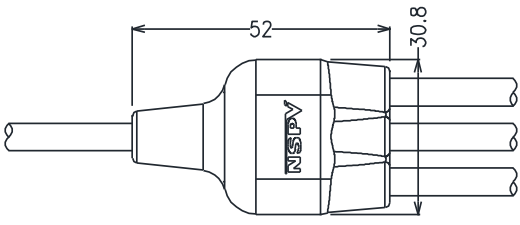
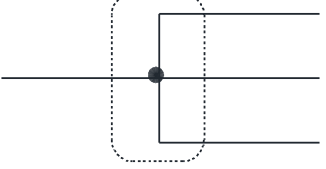
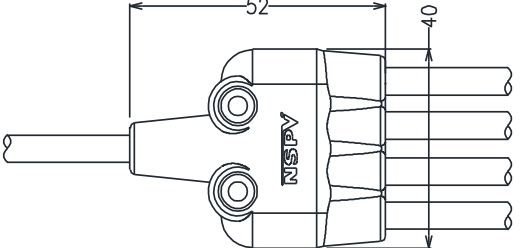
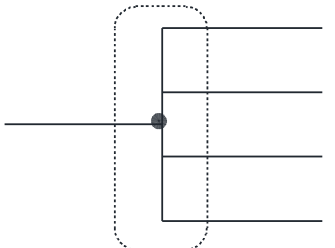
1500VDC Solar Cable Assembly

产品规格

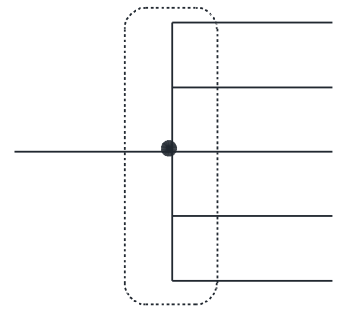
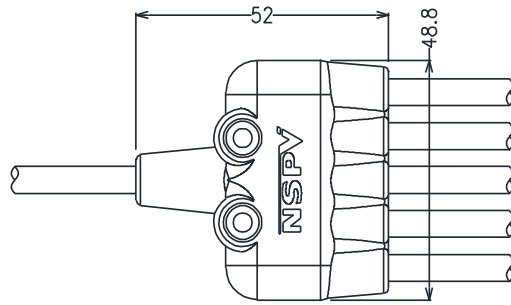
Product Specifications

绝缘材料 Insulation material	PPE/TPE/PA	安全等级 Safety degree	II
额定电压 Rated voltage	1500VDC	阻燃等级 Flame class	UL94-V0
额定脉冲电压 Rated Impulse voltage	12KV	安装方式 Installation type	户外, 抗紫外线(F1) Outdoor, UV resistant(F1)
测试电压 Test voltage	8kV(50Hz, 1min)	环境温度范围 Ambient temperature range	-40°C...+85°C(IEC)
连接器接触电阻 contact resistance	≤ 0.25 mΩ	适配电线规格 Suitable cable cross sections	1.5~10mm ² /16~8AWG
金属导体材料 Contact material	铜, 镀锡 Copper, Tin plated	连接方式 Connecting system	压接 Crimp connection
保护等级 Degree of protection	IP68(1m, 1H)	温度上限 limiting temperature	Upper 110°C(IEC)
过压等级 Overvoltage category/Pollution degree	CATIII/2	额定脉冲电压 Rated Impulse voltage	16kV
符合标准 Regulatory approval	TUV/CE(IEC62852:2014)		

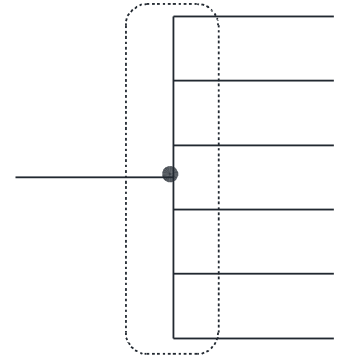
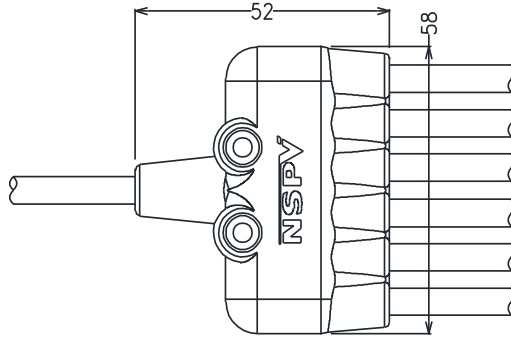
料号: Part number:	图示: Drawing:	原理图 schematic diagram
M210Y***-**		
+310T***-**		

<p>T100T***-**</p>		
<p>H210Y***-**</p>		
<p>M310Y***-**</p>		
<p>M420H***-**</p>		
<p>M310H***-**</p>		
<p>M410H***-**</p>		

M510H***-**



M610H***-**



适配电线尺寸
Suitable for cable size:

主线 Main wire size					分支线 Branch wire size				
2.5mm ²	4mm ²	6mm ²	10mm ²	16mm ²	1.5mm ²	2.5mm ²	4mm ²	6mm ²	10mm ²
14AWG	12AWG	10AWG	8AWG	6AWG	16AWG	14AWG	12AWG	10AWG	8AWG