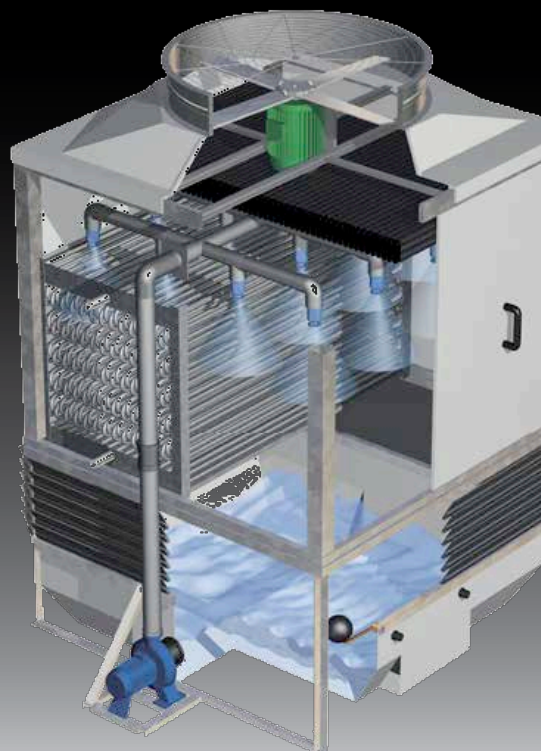




MCC

Closed circuit evaporative coolers



EVAPORATIVE COOLERS

MCC SERIES



Closed circuit evaporative cooling towers MCC Series

The MCC series closed circuit evaporative cooling towers are employed as an alternative to open-type cooling circuits with heat exchangers, in those cases in which the cooling fluid for the user's equipment (generally water or water with glycol) must maintain its chemical and physical characteristics constant over time and unpolluted by external elements. In fact the fluid to be cooled circulates within the tubes constituting the heat exchanger coil placed inside the cooling tower: the coil, in turn, is continuously wetted by the water contained in the basin of the tower, which is sent to a spray system with nozzles via the appropriate pump. Thanks to the combined effects of the evaporation of a small part of the spray water and of the turbulence created inside the tubes, the cooling of the fluid, which can hence be returned to the user's equipment, is achieved.

Construction features

Fitted with one or more axial fans according to the model, the MCC series is built with a strong supporting structure in hot-dip galvanised steel and side walls made of fibreglass sandwich panels. The internal heat exchanger is composed of smooth-tube coils. The standard configuration is completed by the water collecting basin and the fan stacks made entirely of fibreglass (FRP). The range includes several models suitable for installations with requested refrigeration capacities between approx. 80 and 3800 kW.

For all models several option items are available, such as:

- Different solutions to reduce sound emissions
- Totally removable side walls for an easy and total access to the internal parts, to simplify inspection, cleaning or maintenance operations
- Special dimensions for shipment by sea containers.

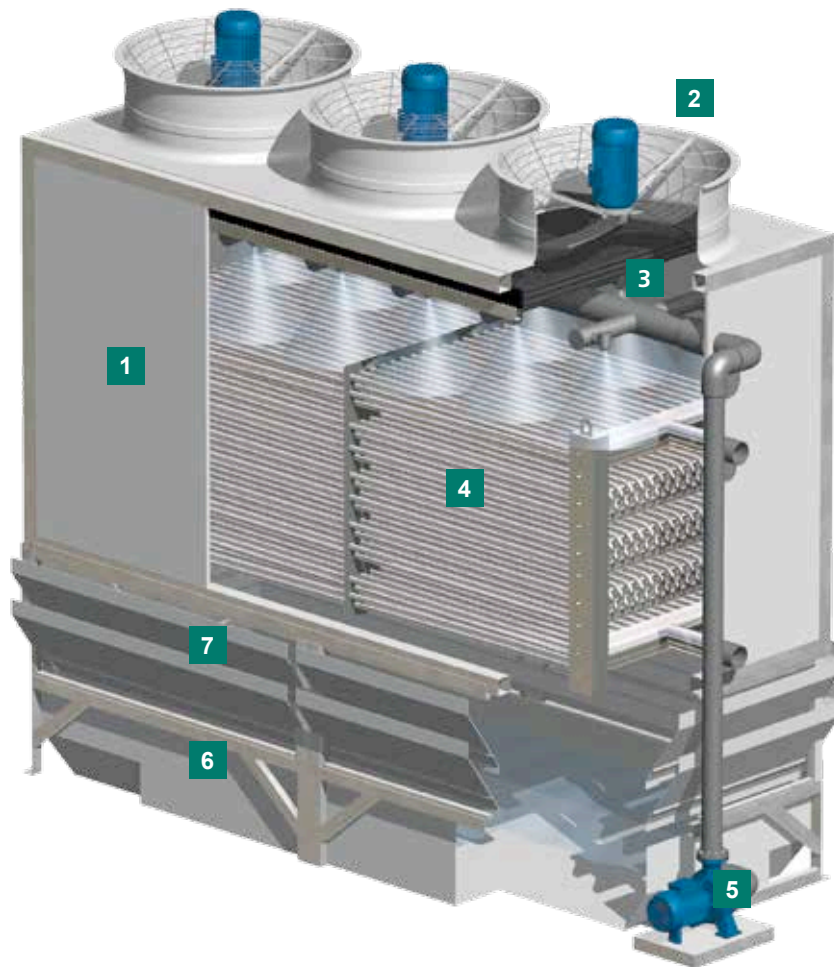
Fields of application

The closed circuit cooling tower is employed in industrial plants and civil air conditioning installations, in particular:

- Cooling of delicate equipment such as air compressors, moulds and plastic extrusion machines, pipe-manufacturing (using an emulsion of anti-corrosion additive in the water of the closed circuit) or induction furnaces (with demineralised water)
- Evaporative chilling (cooling tower's direct production of cold water for an air conditioning installation when the chiller is shutdown in the low season) and load shaving (direct production of cold water upstream of a chiller thus only subject to partload).



CONSTRUCTION FEATURES



1 Structure and main casing

Construction Materials:

steel supporting structure, hot-dip galvanised after fabrication, sandwich panelling in 22 mm thick fibreglass.

Characteristics:

- optimum mechanical resistance
- good sound-absorption properties
- non-corroding
- easy internal inspection (with optional totally removable side walls)

Multi-blade axial fan

2

Construction Materials:

hot-dip galvanised steel (support), plastic (fan blades), stainless steel (protective grid).

Characteristics:

- high performance, low absorbed electric power, fan directly driven by the motor
- electrical wiring connections to fan motor/s.

3 Water distribution system

Construction Materials:

normalised PN 10 PVC pipes, polypropylene tangential nozzles.

Characteristics:

- non-corroding
- uniform and complete spraying of the coil, full-cone spray
- exclusive MITA-design nozzles: the water flow is induced in the diffuser cone solely by the tangential connection to the main body of the nozzle, hence there are no internal parts which could cause obstructions.

4 Heat exchange coil

Construction Materials:

hot-dip galvanised steel (stainless steel).

Characteristics:

- large heat exchange surface
- easy maintenance (thanks to the optional totally removable side walls).

5 Centrifugal water recirculating pump and piping of the spray water circuit

6 Basin with sloping bottom and top of the tower

Construction Materials:

glass-mat reinforced orthophthalic polyester resin in several layers.

Characteristics:

- external surface protection by means of a gelcoat resistant to UV-radiation, to cold and hot water, to abrasion from the elements/weather conditions and to chemicals
- internal water-proofing/impermeability obtained by means of an isophthalic, paraffin-containing, impermeable and hydrorepellent gel-coat (for the basin)
- light-weight
- non-corroding.

7 Anti-splash louvers on the air inlet openings

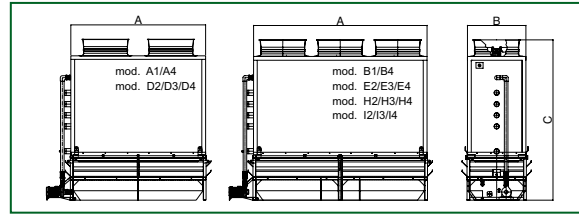
Construction Materials:

PVC or fibreglass..

Characteristics:

- non-corroding
- easy dismounting even after many years in service.

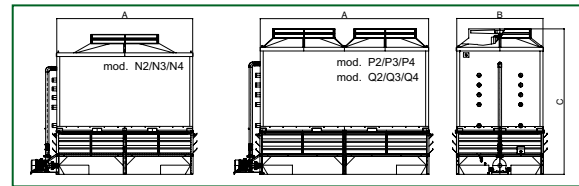
DIMENSIONS AND WEIGHTS



MCC Series

TYPE	WEIGHT		FAN		PUMP	ELECTRIC HEATER*		DIMENSIONS		
	Empty kg	Operation kg	N°	Power kW (each)	Power kW	N°	Power kW (each)	A mm	B mm	C mm
A1	1130-1500	2530-2700	2	1,5	1,1	1	2	1870	1030	3160-3400
A2/A3/A4				2,2						
B1	1530-2070	3200-3820	3	1,5	1,5	1	3	2770	1030	3160-3400
B2/B3/B4				2,2						
D2	1680-2380	3700-4400	2	3,0	2,2	1	3	2850	1235	3250-3480
D3/D4				4,0						
E2/E3/E4	2030-2840	4680-5570	3	3,0	2,2	1	4,5	3670	1235	3250-3480
H2	2450-3440	5460-6600	3	3,0	4,0	1	4,5	3670	1505	3460-3700
H3/H4				4,0						
I2	2880-4220	6660-8130	3	4,0	5,5	1	7,5	4570	1505	3610-3875
I3/I4				5,5						

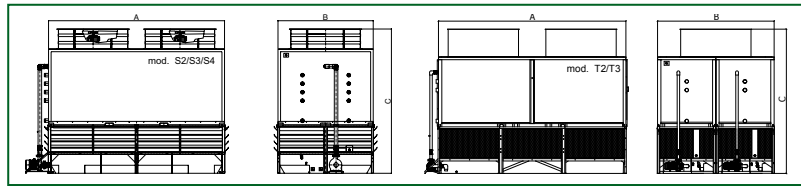
*Optional



MCC Series

TYPE	WEIGHT		FAN		PUMP	ELECTRIC HEATER*		DIMENSIONS		
	Empty kg	Operation kg	N°	Power kW (each)	Power kW	N°	Power kW (each)	A mm	B mm	C mm
N2/N3/N4	3770-4820	8050-9660	1	15	5,5	1	7,5	3620	2360	3650-3890
P2	4140-5980	9900-11900	2	7,5	5,5	2	5	4570	2360	3800-4030
P3/P4				11						
Q2/Q3/Q4	4890-7180	11030-13500	2	11	5,5	2	7,5	5500	2360	3800-4030

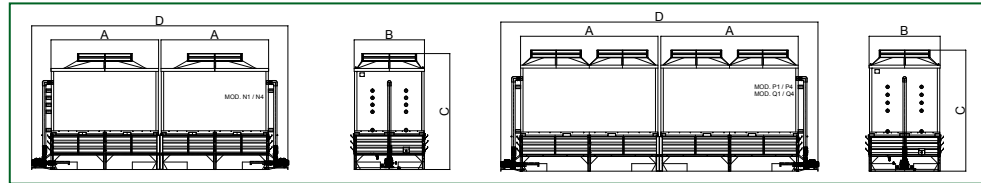
*Optional



MCC Series

TYPE	WEIGHT		FAN		PUMP	ELECTRIC HEATER*		DIMENSIONS		
	Empty kg	Operation kg	N°	Power kW (each)	Power kW	N°	Power kW (each)	A mm	B mm	C mm
S2	5830-8470	14070-17080	2	11	9,2	2	7,5	5470	2960	4285-4560
S3/S4				15						
T2	10365	15865	2	11	2 x 7,5	2	7,5	5756	3580	4430
T3	11165	16995	2	15	2 x 7,5	2	7,5	5756	3580	4430

*Optional



MCC Series

TYPE	WEIGHT		FAN		PUMP	ELECTRIC HEATER*		DIMENSIONS		
	Empty kg	Operation kg	N°	Power kW (each)	Power kW	N°	Power kW (each)	A mm	B mm	C mm
XN2	7600	16730	2	15	2 x 5,5	2	7,5	8620	2360	3650
XN3	8400	17940	2	15	2 x 5,5	2	7,5	8620	2360	3650
XN4	9600	19560	2	15	2 x 5,5	2	7,5	8620	2360	3890
XP2	9280	20640	4	7,5	2 x 5,5	4	5	10560	2360	3800
XP3	10520	22400	4	11	2 x 5,5	4	5	10560	2360	3800
XP4	11660	24100	4	11	2 x 5,5	4	5	10560	2360	4030
XQ2	10960	24720	4	11	2 x 5,5	4	7,5	12820	2360	3800
XQ3	12500	26880	4	11	2 x 5,5	4	7,5	12820	2360	3800
XQ4	14100	29129	4	11	2 x 5,5	4	7,5	12820	2360	4030

*Optional

Technical data not binding, please contacts MITA Technical Dept. for full details



Via del Benessere, 13
27010 Siziano (PV) - Italy
+39 0382.67599 - info@mitact.it