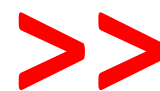
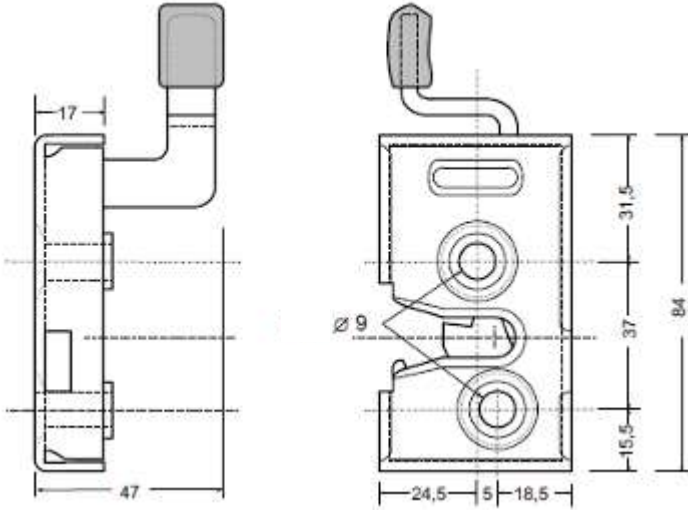




2

**LATCHES****METALPLAST-SOPRANA srl****10090 BRUINO TO – VIA VOLVERA 88/4****TELEPHONE 011-9086490 FAX 011-9086979****E-MAIL : [metsopr@tin.it](mailto:metsopr@tin.it)****[WWW.metalplast-soprana.com](http://WWW.metalplast-soprana.com)**

## SR 99 LATCHES SERIES



### **SPECIFICATION:**

- Zinc plated steel Case
- internal latch components: heat treated and zinc plated
- thermoplastic rubber knob
- Ø 10mm door striker

Drawing represents the right latch

### SR99 VERSIONS



#### SR99 LATCH

- **RIGHT CODE**     **136308**
- **LEFT CODE**     **137308**

THIS IMAGE REPRESENTS THE RIGHT LATCH



#### SR99 LATCH

- **RIGHT CODE**     **136309**
- **LEFT CODE**     **137309**

LOCK WITH CABLE CONNECTION FOR  
REMOTE CONTROL

THIS IMAGE REPRESENTS THE RIGHT LATCH



**SR99 LATCH**

- RIGHT CODE     **136310**
- LEFT CODE      **137310**

THIS IMAGE REPRESENTS THE RIGHT LATCH



**SR99 LATCH**

- RIGHT CODE     **136312**
- LEFT CODE      **137312**

LATCH FOR SLIDING DOORS

THIS IMAGE REPRESENTS THE RIGHT LATCH



**SR99 LATCH**

- RIGHT CODE     **136314**
- LEFT CODE      **137314**

THIS IMAGE REPRESENTS THE RIGHT LATCH



**SR 99 LATCH FOR ENGINE COMPARTMENTS AND HOODS**

- LEFT CODE      **136326**

THIS IMAGE REPRESENTS THE RIGHT LATCH

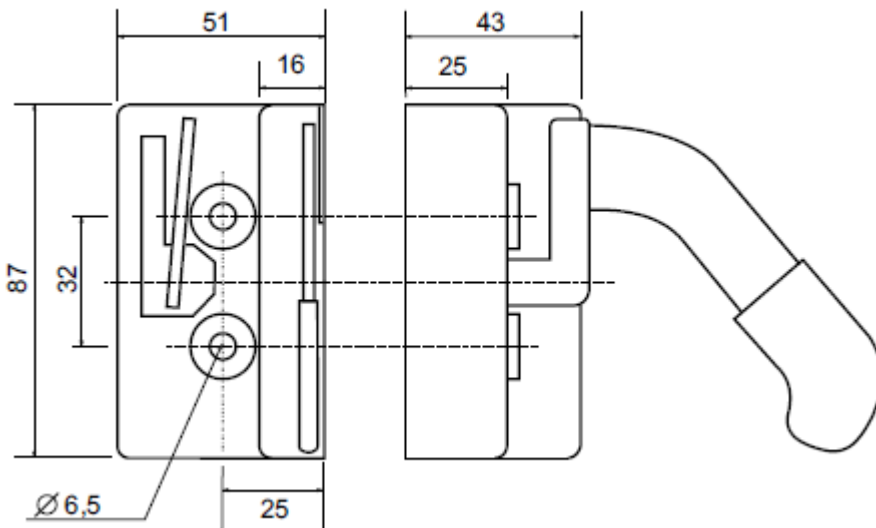
## SR 32 LATCHES SERIES

### SUGGESTED MOUNTING SCHEME

**MOUNTING  
PLATE  
COD. 139303**



**THREADED  
PLATE  
COD. 139304**



### **SPECIFICATION:**

- Case: Zinc plated steel
- Cover: ABS black
- internal latch components: heat treated and zinc plated
- thermoplastic rubber knob
- Ø10mm door striker
- ABS UV resistant cover

## SR 32 VERSIONS



### SR32 LATCH

- RIGHT CODE     **136307**
- LEFT CODE      **137307**

THIS IMAGE REPRESENTS THE RIGHT LATCH



## DOOR LATCHES 5

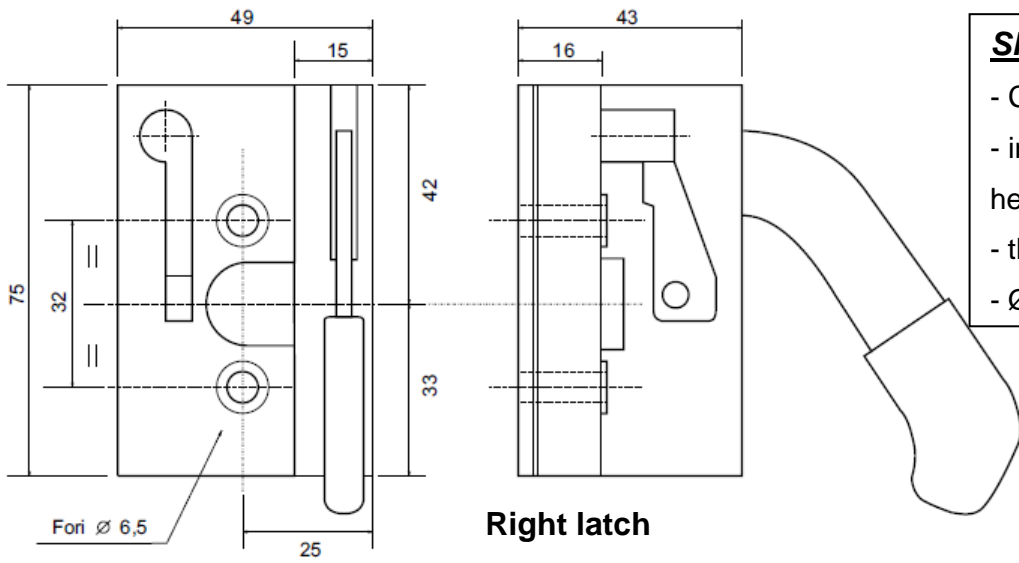


### SR32 LATCH

- RIGHT CODE 136306
- LEFT CODE 137306

THIS IMAGE REPRESENTS THE RIGHT LATCH

**SR 03 LATCHES SERIES**



**SPECIFICATION:**

- Case halves: Zinc plated steel
- internal latch components: heat treated and zinc plated
- thermoplastic rubber knob
- Ø10mm door striker

**SUGGESTED MOUNTING SCHEME**



**WELDABLE MOUNTING LATCH PLATE**

- **RIGHT CODE LATCH**  
**139306**
- **LEFT CODE LATCH**  
**139307**

**SR 03 VERSIONS**



**SR03 LATCH**

- **RIGHT CODE LATCH**    **136319**
- **LEFT CODE LATCH**    **137319**

THIS IMAGE REPRESENTS THE RIGHT LATCH

## SR 03 LATCHES SERIES WITH COVER

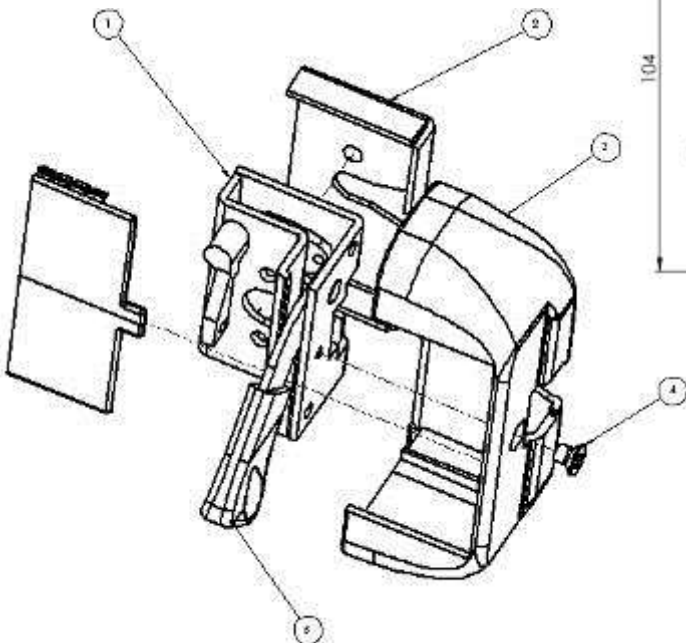
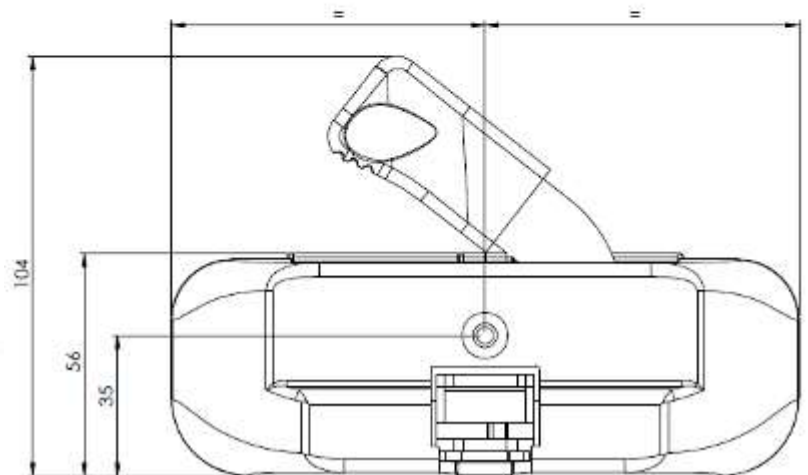
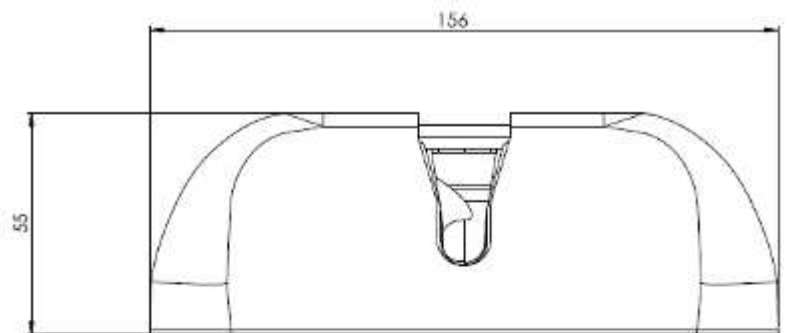
**RIGHT CODE 136325 – LEFT CODE 137325**

### SPECIFICATION:

- **LATCH**
  - o 3mm thick zinc plated steel case halves
  - o Thermoplastic rubber knob
  - o internal latch components: heat treated and zinc plated
  - o compatible with our button Handles
- **WELDABLE MOUNTING PLATE** 2,5mm THICK  
RIGHT AND LEFT CODE 139305
- **ABS COVER** UV RESISTANT



THIS IMAGE REPRESENTS THE RIGHT LATCH



### KIT COMPONENTS:

1. Latch
2. Cover cap
3. Weldable Mounting plate  
139303
4. Knob
5. Cover



**SR03 LATCH**

- **RIGHT CODE**     **136317**
- **LEFT CODE**     **137317**

THIS IMAGE REPRESENTS THE RIGHT LATCH



**SR03 SPECIAL LATCH**

**CODE 136297 (ONLY RIGHT VERSION)**







## SR02 LATCH WITH DEVICE FOR REMOTE CABLE CONTROL

### DEMONSTRATIVE SCHEME



THIS IMAGE  
REPRESENTS THE  
RIGHT LATCH

#### LATCH ASSEMBLY SR 02

##### WITH REMOTE CABLE CONTROL DEVICE

RIGHT CODE	136320
LEFT CODE	137320
MOUNTING PLATE CODE	139305



#### HANDLE ASSEMBLY

RIGHT CODE	120310
LEFT CODE	121310
GASKET	130327

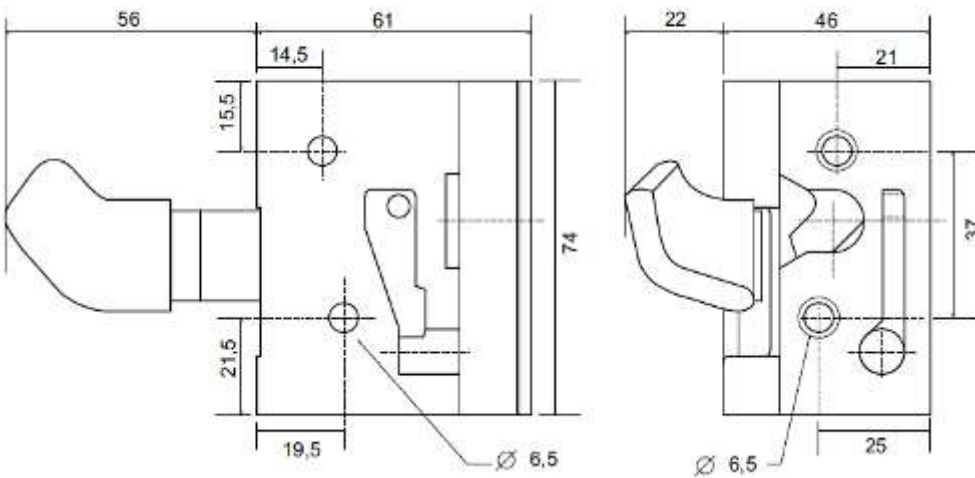


FRONT BRACKET  
WITH DEVICE FOR  
REMOTE CABLE  
RELEASE



REAR BRACKET

## SR 302 LATCHES SERIES



### **SPECIFICATION:**

- Zinc plated steel case halves
- internal latch components heat treated and zinc plated
- Thermoplastic rubber knob
- Ø10mm Door strikers



### SR 302 LATCH

- RIGHT CODE      136302
- LEFT CODE        137302

THIS IMAGE REPRESENTS THE RIGHT LATCH



### SR 302 SPECIAL LATCH

CODE 137324 (ONLY LEFT CODE)



**CABIN KIT CLOSURE WITH LATCH SR 302**

**RIGHT CODE      138400**

**LEFT CODE        138401**

**IMAGE REPRESENT LEFT CLOSURE CABIN KIT**

**COVER CODE 130343  
MATERIAL: BLACK ABS UV**

**LEFT LATCH CODE    137302  
RIGHT LATCH CODE   136302  
(SPECIFICATION ON PAGE 25**

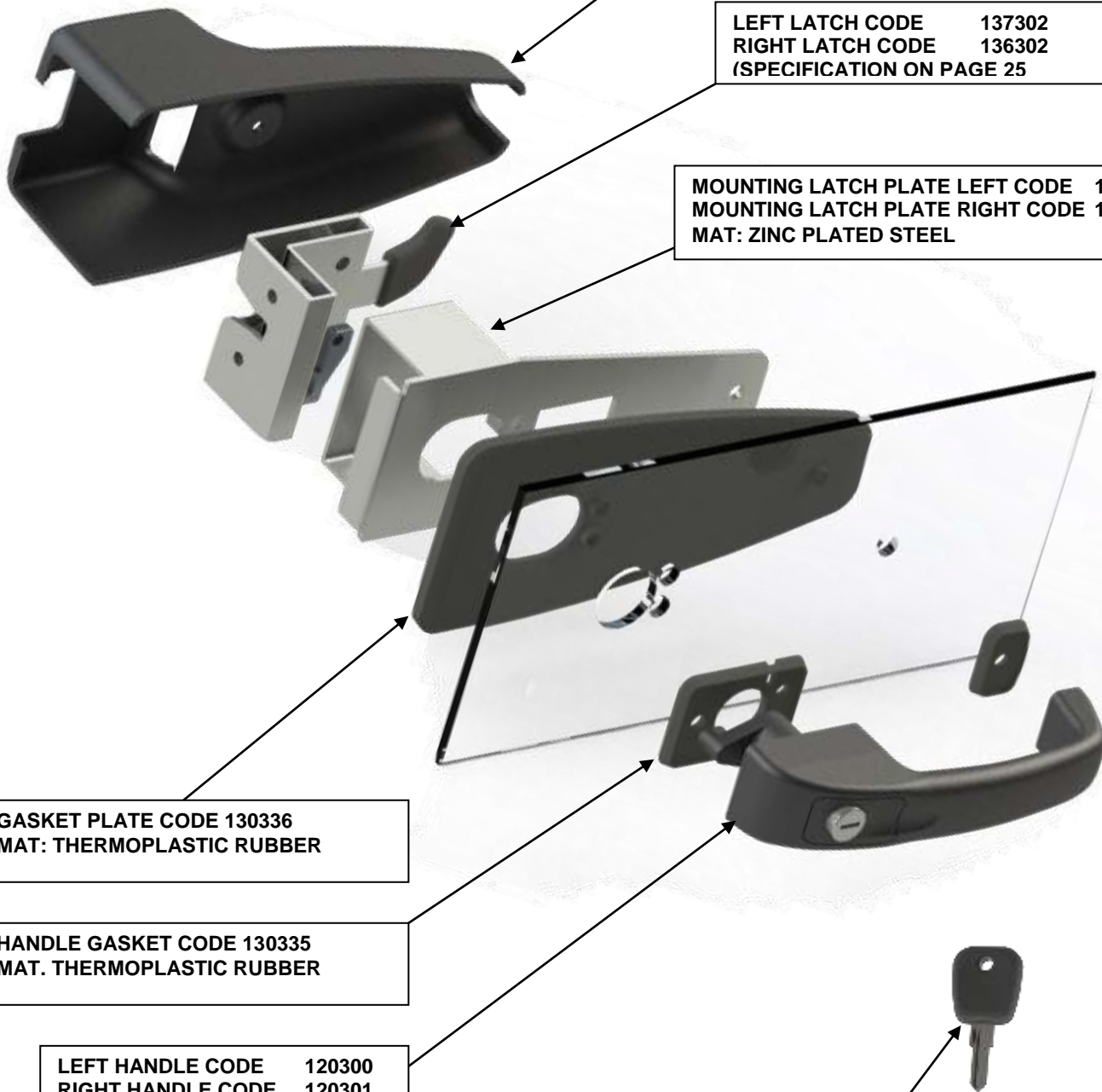
**MOUNTING LATCH PLATE LEFT CODE   130338  
MOUNTING LATCH PLATE RIGHT CODE 130339  
MAT: ZINC PLATED STEEL**

**GASKET PLATE CODE 130336  
MAT: THERMOPLASTIC RUBBER**

**HANDLE GASKET CODE 130335  
MAT. THERMOPLASTIC RUBBER**

**LEFT HANDLE CODE    120300  
RIGHT HANDLE CODE   120301  
MAT. POLYAMIDE GF UV**

**KEY CODE 129305 MERIT STARTING  
TIPE COMPATIBLE**





## CABIN KIT CLOSURE WITH FLUSH HANDLE

**RIGHT DOOR KIT : CODE 138404**

**LEFT DOOR KIT : CODE 138405**

*THIS IMAGE REPRESENTS THE KIT FOR RIGHT DOORS - CODE 138404*



**LATCH COVER**

*MAT: ABS PLASTIC - BLACK  
CODE: 130367*

**LATCH**

*MAT: ZINC PLATED STEEL  
PAWLS: HEAT TREATED AND ZINC PLATED STEEL  
COD: 137332 (PER KIT DESTRO 138404)  
136332 (PER KIT SINISTRO 138405)*

**MOUNTING PLATE**

*MAT: ZINC PLATED STEEL  
CODE 130368*

**PLATE GASKET**

*MAT: THERMOPLASTIC RUBBER  
CODE 130371*

**HANDLE GASKET**

*MAT: THERMOPLASTIC RUBBER  
CODE 130330*

**HANDLE**

*MAT: POLYAMIDE GF UV  
CODE 120324*

**KEY**

*CODE 129305  
(KEY CODE 129304 ON REQUEST)*

129305



129304



**SR 01 BAR LATCHES SERIES**

**SPECIFICATION:**

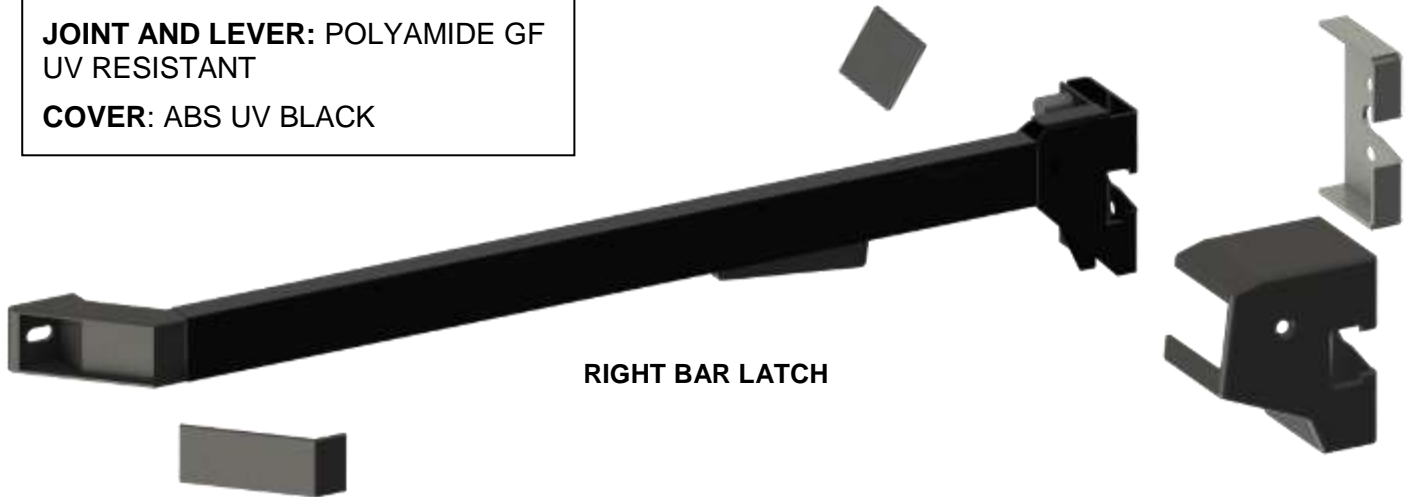
**LATCH AND BAR: BLACK POWDER VARNISHED STEEL**

**JOINT AND LEVER: POLYAMIDE GF UV RESISTANT**

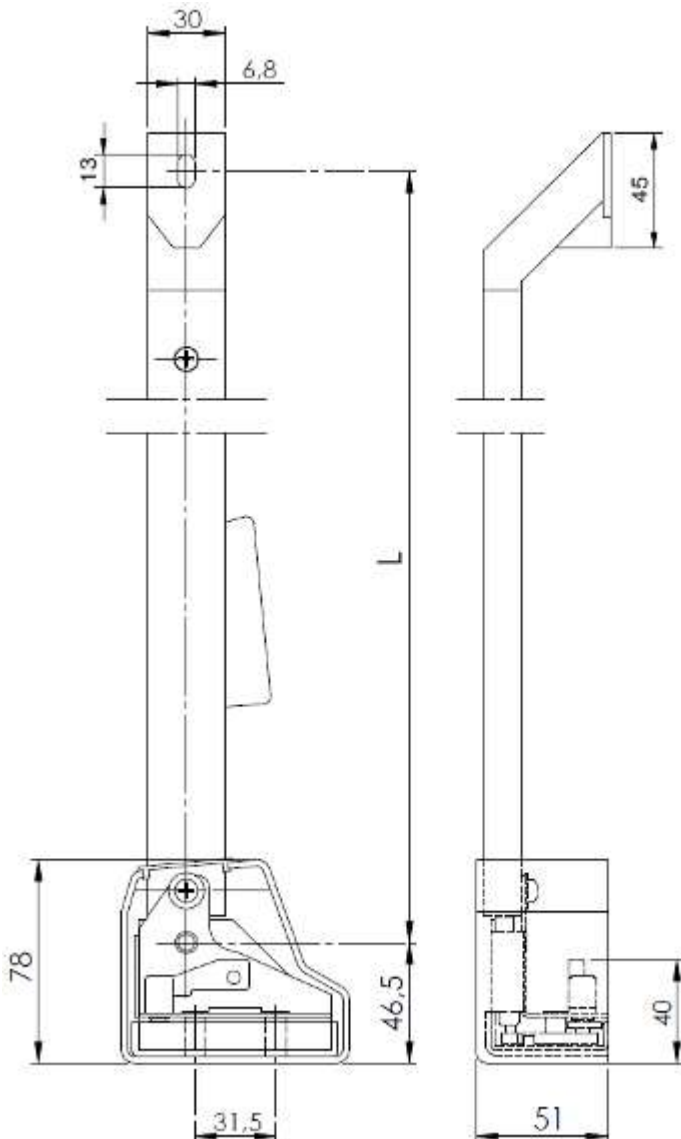
**COVER: ABS UV BLACK**

PLATE CODE 138289

MOUNTING LATCH PLATE CODE 139305



**RIGHT BAR LATCH**

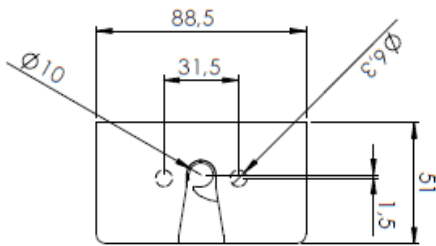


**STANDARD MEASURES**

*(SUPPLIES WITH DIFFERENT FIXING MEASURES ON DEMAND)*

FIXING MEASURE "L"	CODE
300	RIGHT 136323
	LEFT 137323
470	RIGHT 136311
	LEFT 137311
680	RIGHT 136250
	LEFT 137250
711	RIGHT 136252
	LEFT 137252
740	RIGHT 136330
	LEFT 137330
765	RIGHT 136251
	LEFT 137251

**SR01 BAR LATCHES SERIES WITH DISTANT LEVER**

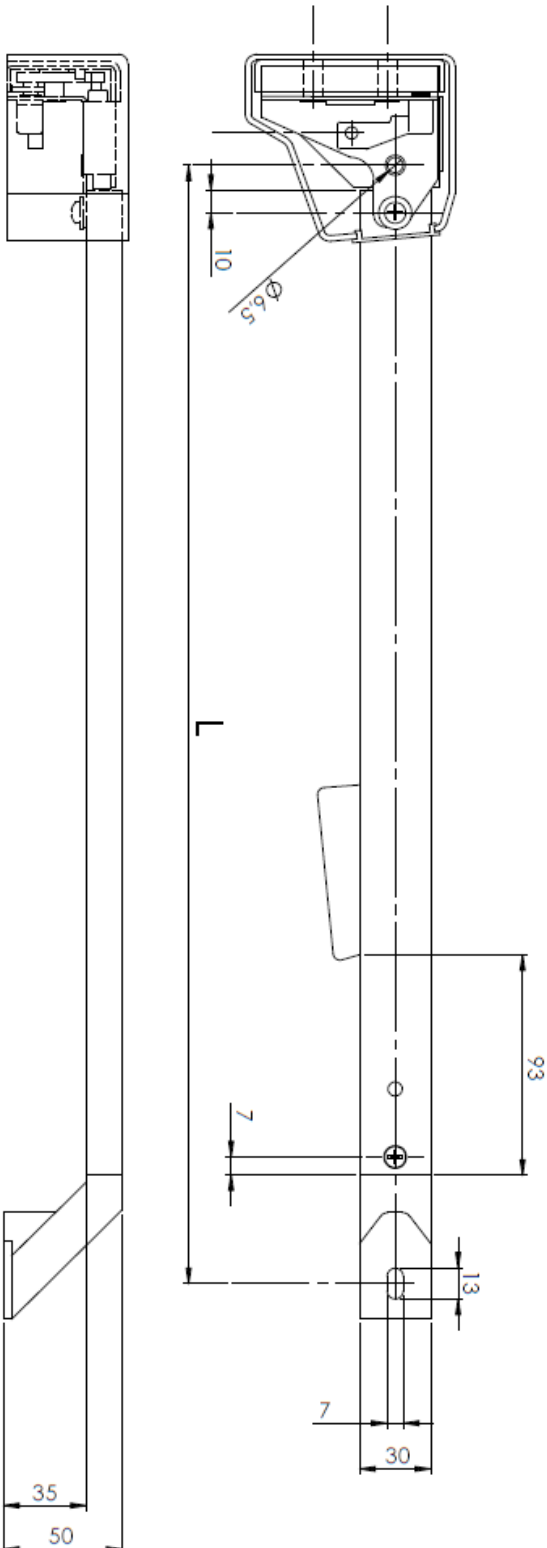


**SPECIFICATION:**

**LATCH AND BAR:** BLACK POWDER VARNISHED STEEL

**JOINT AND LEVER:** POLYAMIDE GF UV RESISTANT

**COVER:** ABS UV BLACK



**STANDARD MEASURES**

( SUPPLIES WITH DIFFERENT FIXING MEASURES ON DEMAND )

FIXING DISTANCE "L"	CODE
470	RIGHT 136296
	LEFT 137296
587	RIGHT 136253
	LEFT 137253

LEFT BAR LATCH

**SR 321 LATCHES SERIES**

Right code **136321**  
Left code **137321**



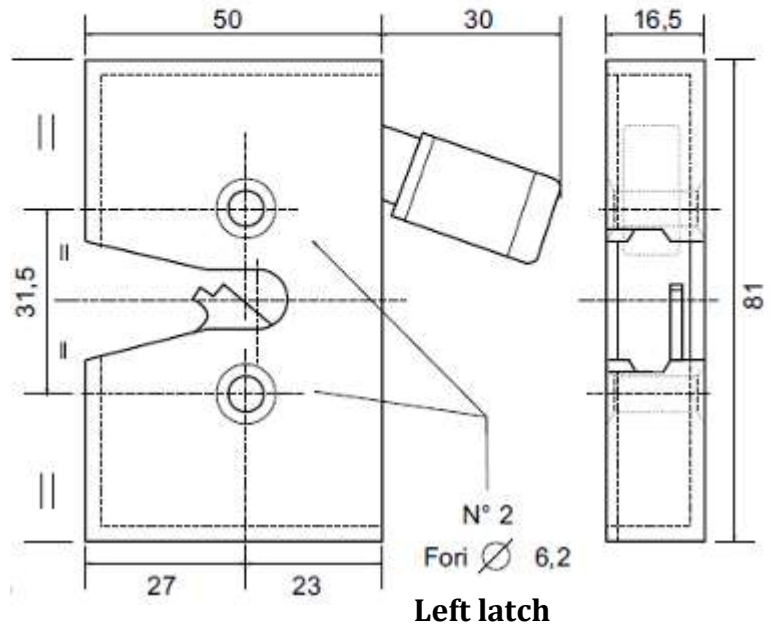
Right code **136327**  
Left code **137327**



Version without protective knob, with hole for remote cable control and other linkages

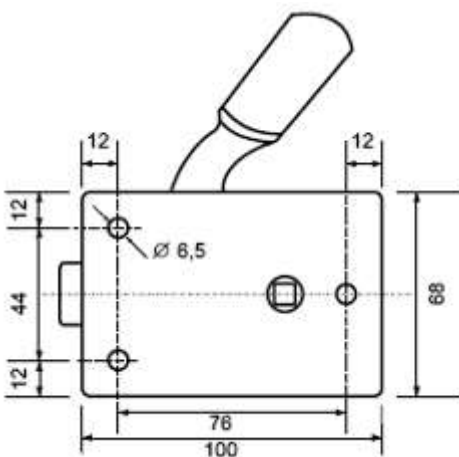
**SPECIFICATION:**

- Case halves: black powder varnished steel
- Internal parts: heat treated and zinc plated steel



**GENERAL USE LATCH**

**RIGHT CODE 136301 - LEFT CODE 137301**



**LEFT LATCH**

**SPECIFICATION:**  
**STRUCTURE AND LEVER: BLACK VARNISHED STEEL**

**LEVER HANDLE: POLYAMIDE**



**COMPATIBLE WITH HANDLE CODE 121205**



## ROTARY LATCH



### SPECIFICATIONS

- **CASE:** 4mm THICKNESS ZINC PLATED STEEL
- **PAWLS:** HEAT TREATED AND ZINC PLATED STEEL (4mm THICKNESS)
- **SPRINGS:** STAINLESS STEEL
- **PROTECTION PAWL PLATE :** STAINLESS STEEL
- **OTHER COMPONENTS:** ZINC PLATED STEEL

### VERSIONS

- **CODE 136254:** M6 THREADED MOUNTING HOLES
- **CODE 136255:** Ø6,5 THRU MOUNTING HOLES

