

304 STAINLESS STEEL TRANSV. BAR MOUNT WITH LEVEL

304 STAINLESS STEEL TRANSV. BAR MOUNT WITH LEVEL



USE:

- Stainless steel is a very good solution for rust-affected areas!
- Fully secure wall mounting system for your air conditioning units.
- Wall mount for external units made of 304 stainless steel
- Transverse bar made of high-strength 304 stainless steel.
- Easy installation using the positioning level, the transverse bar which allows you to adjust arm spacing, and the adjustment wheels for adjusting the vertical position.

TECHNICAL DATA - RECOMMENDATIONS:

- Load per arm: 80Kg
- Maximum external unit weight: 100kg
- Ensure that the mount is compatible with the weight of the external unit
- All accessories and screws and bolts must be fitted and fastened.

SPECIFICATIONS:

- Packaged in individual boxes
- 2 x 550mm arm made of 304 stainless steel
- Supplied with instructions, anti-vibration washers and screws and bolts made of stainless steel
- Width-adjustable 780mm transv. bar made of 304 stainless steel
- Rear adjustment wheels
- Gross packaged mount weight: 4.80kg
- Box dimensions: 790 * 85 * 75 mm

SCREWS AND BOLTS AND ACCESSORIES:

1	2	3	4	5	6	7
4 x M8x30 external unit fastening screws	4 Axle screws (pre-assembled)	4 Anti-vibration blocks Diam. 40/19 mm	5 x M8x80 stainless steel screws and bushings for wall mounting (solid wall)	2 mounting plates and 2 x M8x30 screws	2 rear adjustment wheels	1 spirit level (pre-assembled)

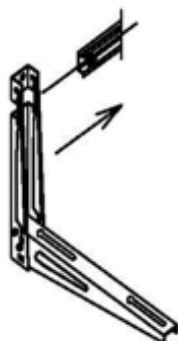
AS550BTNI 304 stainless steel mount installation instructions

Installation

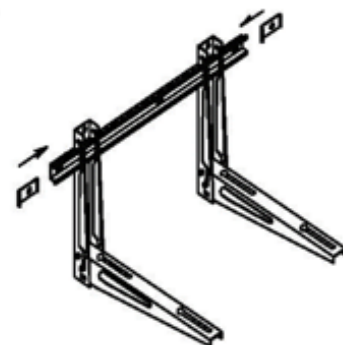
① Mount the transverse bar at 3 points and level with 3 of the 5 stainless steel screws included



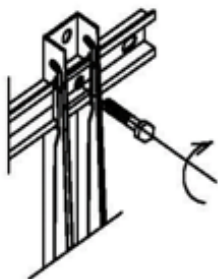
② Slide the two arms onto the bar



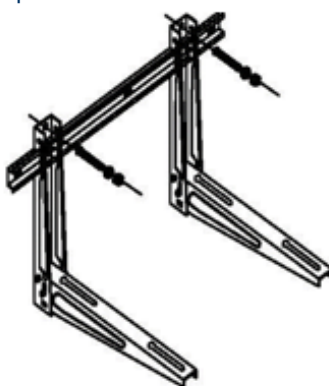
③ Insert the two plates into the bar and centre them under the arms



④ Screw the screws into the plate (without fastening them yet)



⑤ Adjust the two arms to the dimensions of the external unit, mount the arms to the wall with the 2 remaining stainless steel screws, then fasten the screws on the plates



⑥ Fit the anti-vibration blocks, adjust the rear adjustment wheels

