

1  **HANDLES** >>

METALPLAST-SOPRANA srl

10090 BRUINO TO – VIA VOLVERA 88/4

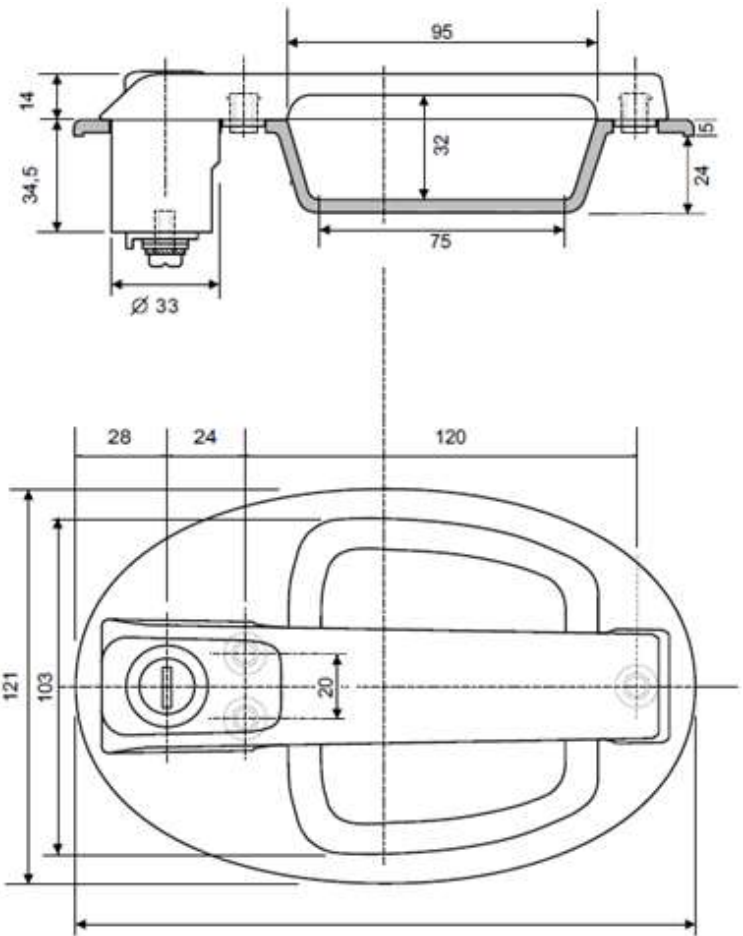
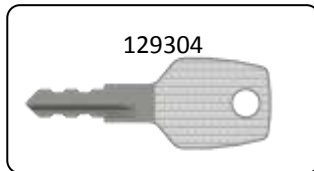
TELEPHONE 011-9086490 FAX 011-9086979

E-MAIL : metsopr@tin.it

WWW.metalplast-soprana.com

FLUSH HANDLE ASSEMBLY

Code 120308



VERSIONS

**RIGHT and LEFT CODE 120308
FLUSH HANDLE MODEL**

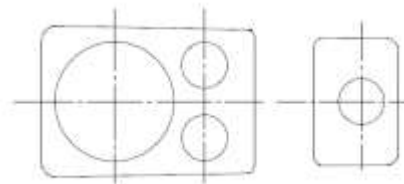
BOTTOM COVER HANDLE GASKET CODE 130330

SPECIFICATION:

- **BOTTOM COVER AND HANDLE:** GF POLYAMIDE UV
- **BUTTON:** ZINC ALLOY (GP-ZnAl4Cu1 UNI 3717) - CHROMED
- **GASKETS:** PVC
- **KEY:** STANDARD, CODE 129304
- **FIXING:** 3 M6 INSERT

ON REQUEST PROVIDED WITH HANDLE GASKETS **Cod. 130355**

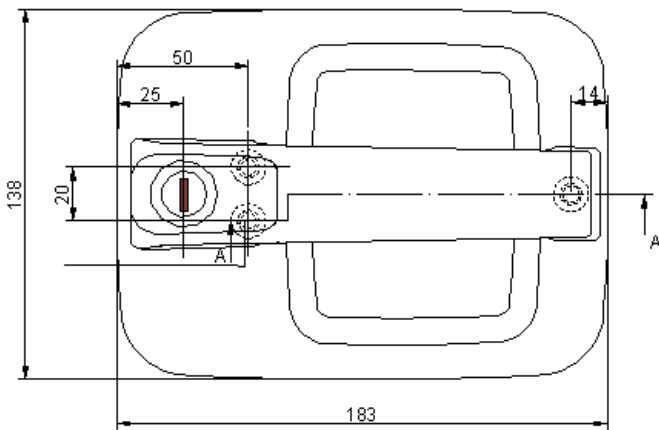
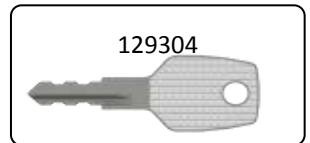
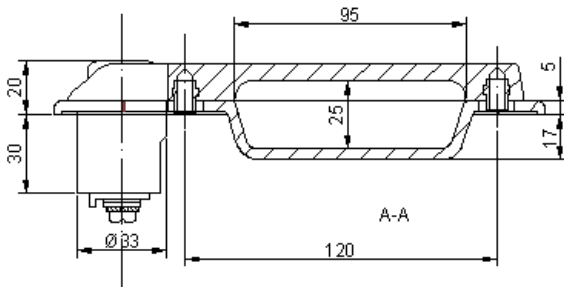
MATERIAL: EXPANDED RUBBER 1,5mm THICKNESS



HANDLE GASKETS Cod. 130355

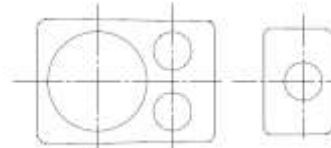
FLUSH HANDLE ASSEMBLY

Code 120307



SPECIFICATION:

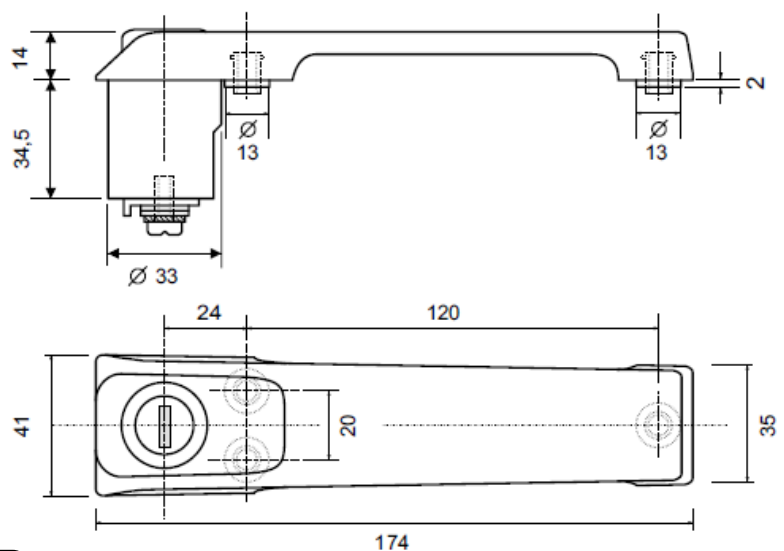
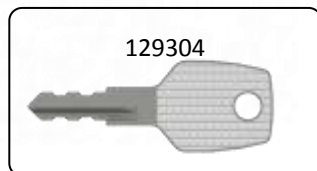
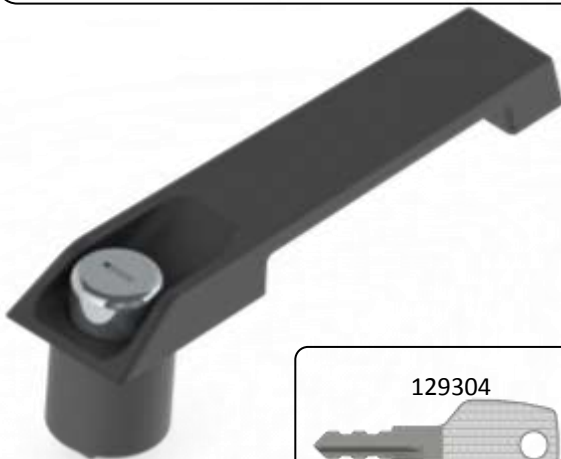
- **BOTTOM COVER AND HANDLE:** POLYAMIDE GF UV
- **BUTTON:** ZINC ALLOY (GP-ZnAl4Cu1) CHROMED
- **KEY:** STANDARD, CODE 129304
- **FIXING:** N°3 M6 INSERTS



**HANDLE GASKETS Cod. 130355
ON REQUEST**

HANDLE WITHOUT BOTTOM COVER

code 120302



SPECIFICATION:

- **HANDLE:** POLYAMIDE GF UV
- **BUTTON:** ZINC ALLOY (GP-ZnAl4Cu1) - CHROMED
- **KEY:** STANDARD, CODE 129304
- **FIXING:** N°3 M6 INSERTS

**HANDLE GASKETS
CODE 130355
ON REQUEST**



FLUSH PADDLE HANDLE, WITH GASKET AND FIXING INSERTS



VERSIONS

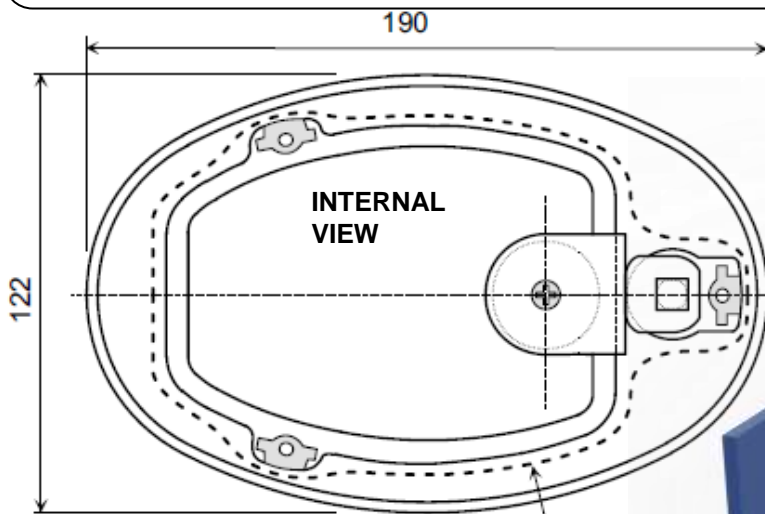
COD. 120313 RIGHT AND LEFT- STANDARD KEY (129304)

COD. 120316 R AND L – MERIT IGNITION TYPE KEY COMPATIBLE (129305)

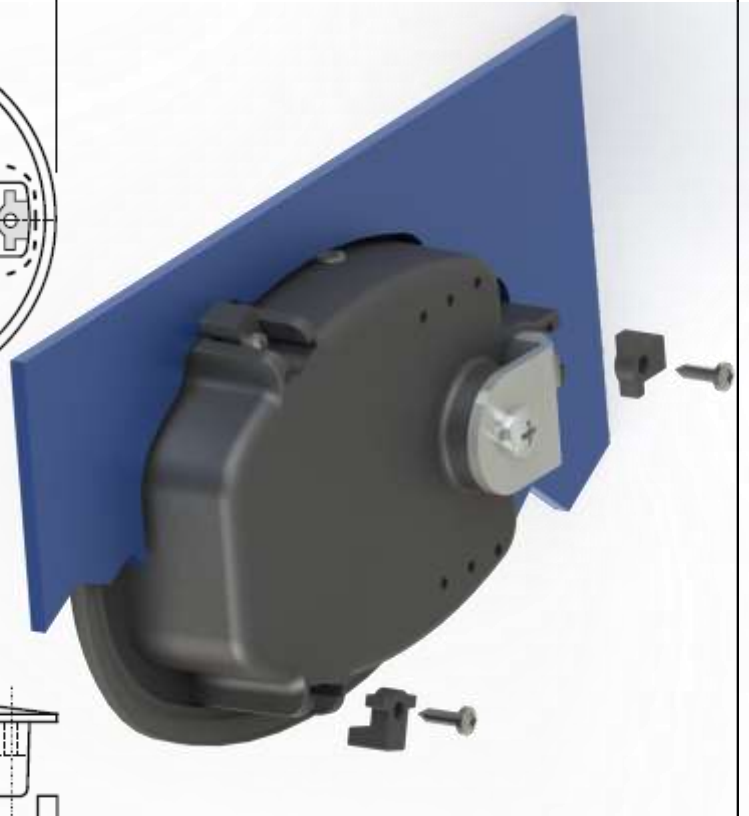
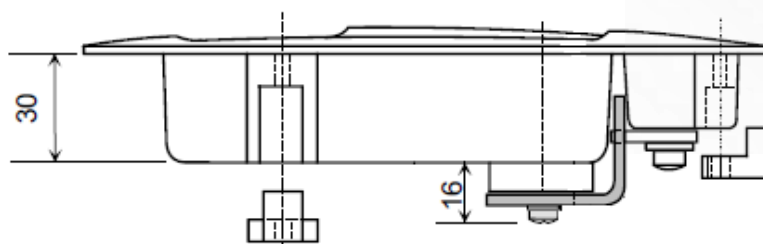
BOTTOM COVER GASKET (CODE 130330) AND FIXING INSERTS INCLUDED

SPECIFICATION:

- **HANDLE:** POLYAMIDE GF UV
- **KEY:** 129304 / 129305
- **GASKET:** PVC
- **LEVERAGE:** ZINC PLATED STEEL

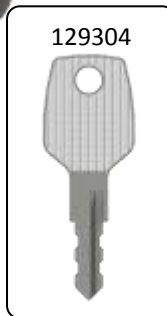


CUTTING PROFILE ON PANNEL - - - - -



FLUSH PADDLE HANDLE, WITH DEVICE FOR REMOTE CABLE RELEASE

Code 120315

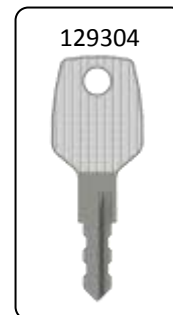


SPECIFICATION:

- **HANDLE:** polyamide GF UV.
- **LEVERAGE:** zinc plated steel
- **GASKET:** PVC
- **N° 3 FIXING INSERTS**
- **KEY:** standard cod. 129304
- On request remote control rod with threaded end and adjustable insert
- Merit ignition type key compatible on demand (code 129305)

HANDLE WITH MERIT IGNITION TYPE KEY COMPATIBLE AND GASKET

ARTICOLO 120318



SPECIFICATION:

- **HANDLE:** polyamide GF UV.
- **LEVERAGE:** zinc plated steel
- **GASKET:** PVC
- **N° 3 FIXING INSERTS**
- **KEY:** standard cod. 129304
- Merit ignition type key compatible on demand (code 129305)

NOTE:

BY LIFTING THE HANDLE LEVER TWO REMOTE LOCKS CONTROLLED BY THREADED ROD WITH ADJUSTABLE INSERT CAN BE OPENED

PUSH BUTTON HANDLE ASSEMBLY

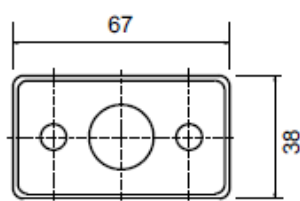
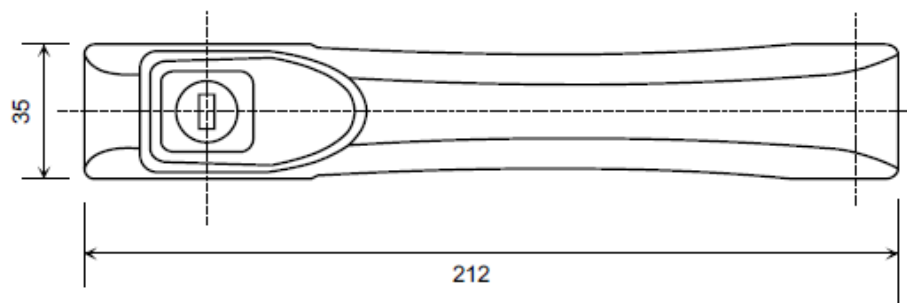
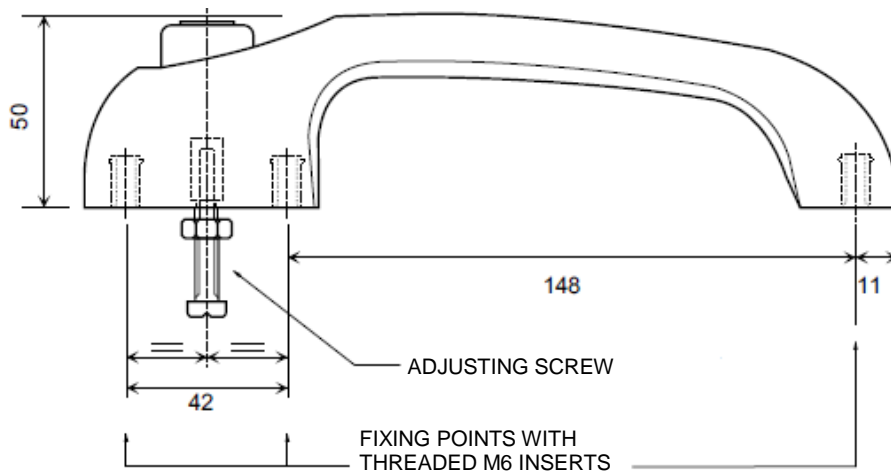
VERSIONS

1. **COD. 121305 RIGHT AND LEFT**
HANDLE WITH TWO STANDARD KEY(cod. 129303)
2. **COD. 121306 RIGHT AND LEFT**
HANDLE WITH MERIT IGNITION TYPE KEY COMPATIBLE (cod. 129305)
3. **COD. 121308 RIGHT AND LEFT**
HANDLE WITH AUTOMOTIVE CODED KEY (Cod. 129308)
4. **COD 121307 RIGHT AND LEFT**
HANDLE WITH BUTTON WITHOUT KEY

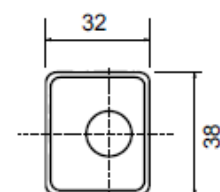


SPECIFICATION:

- **HANDLE:** POLYAMIDE GF UV
- **BUTTON:** POLYAMIDE GF UV
- **GASKET:** PVC



HANDLE GASKETS



PUSH BUTTON HANDLE - MERIT IGNITION TYPE KEY COMPATIBLE
DOUBLE MOUNTING SOLUTION



SPECIFICATION:

- HANDLE: POLYAMIDE GF UV
- BUTTON: POLYAMIDE GF UV
- GASKET: PVC

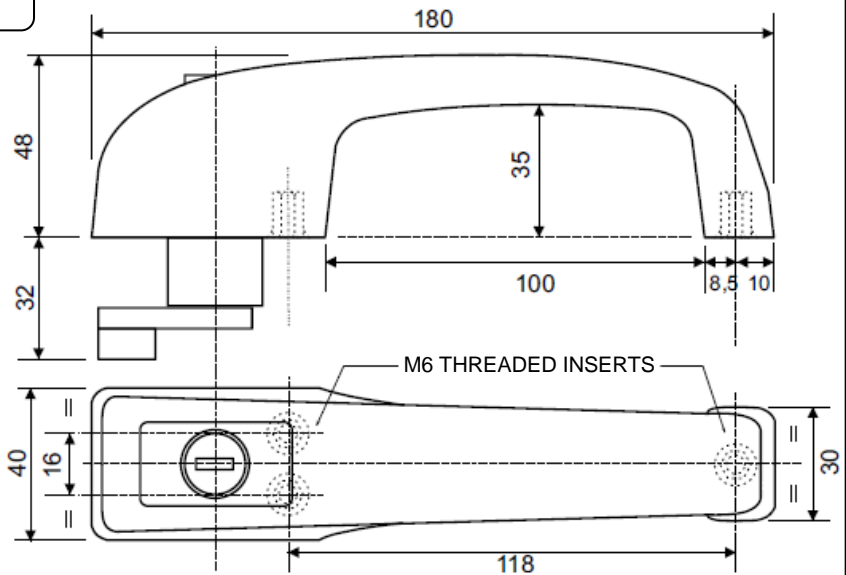
**KEY PARTS COMPATIBLE WITH MERIT
IGNITION LOCKS (KEY CODE 129305)**

MOUNTING VERSION A:

- Interaxis: 118mm
- 3 threaded M6 inserts

Code 120301 RIGHT

Code 120300 LEFT

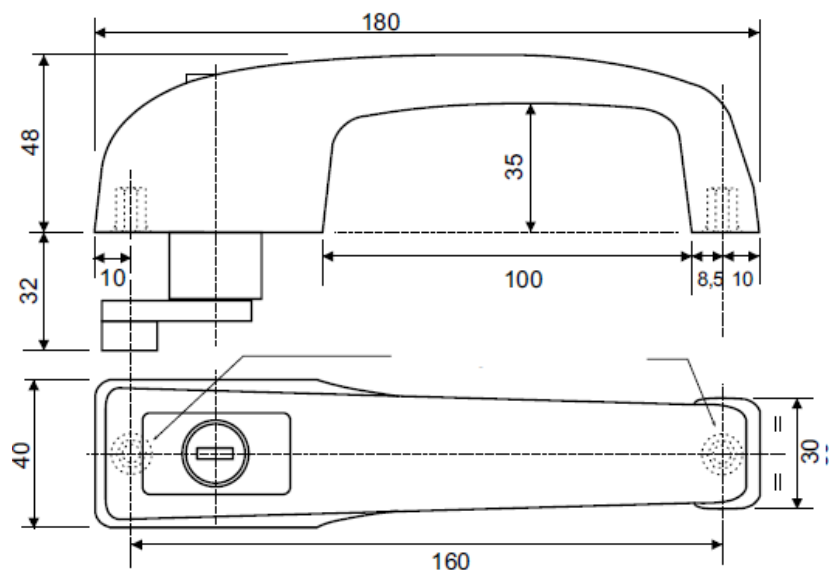


MOUNTING VERSION B:

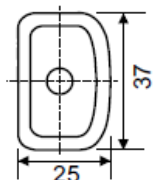
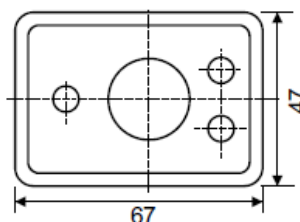
- Interaxis: 160mm
- 2 threaded M6 inserts

Code 120319 RIGHT

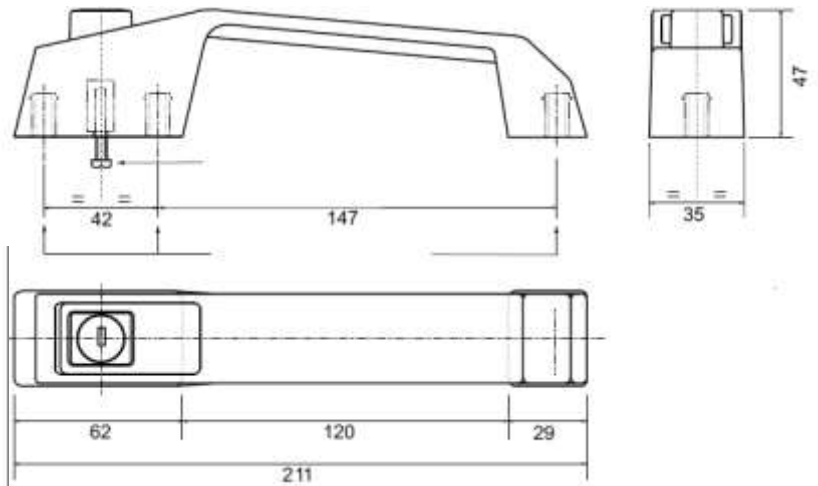
Code 121319 LEFT



**Code 130335
PVC GASKETS**



PUSH BUTTON HANDLE



VERSIONS

- **COD. 121301 RIGHT AND LEFT** WITH STANDARD KEY (key code 129303)
- **COD. 123301 RIGHT AND LEFT** WITH AUTOMOTIVE CODED KEY (key code 129308)
- **COD. 121302 RIGHT AND LEFT** WITH BUTTON, WITHOUT KEY

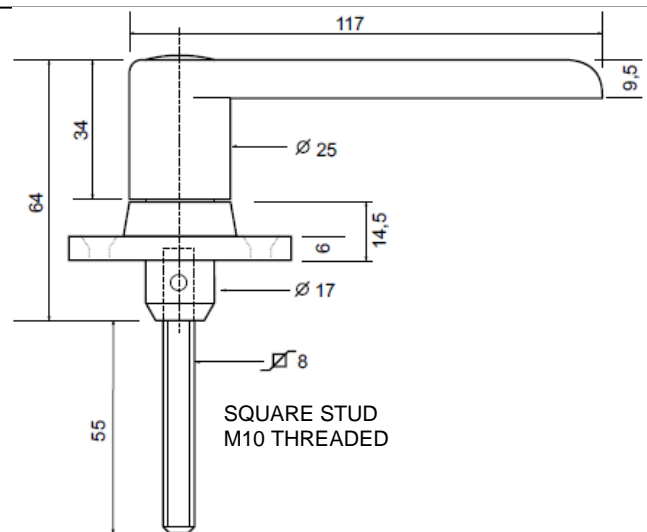


GASKETS Code 130322

SPECIFICATION:

- **HANDLE:** POLYAMIDE GF UV
- **BUTTON:** POLYAMIDE GF UV
- **GASKETS:** PVC

CABIN HANDLE CODE 121205



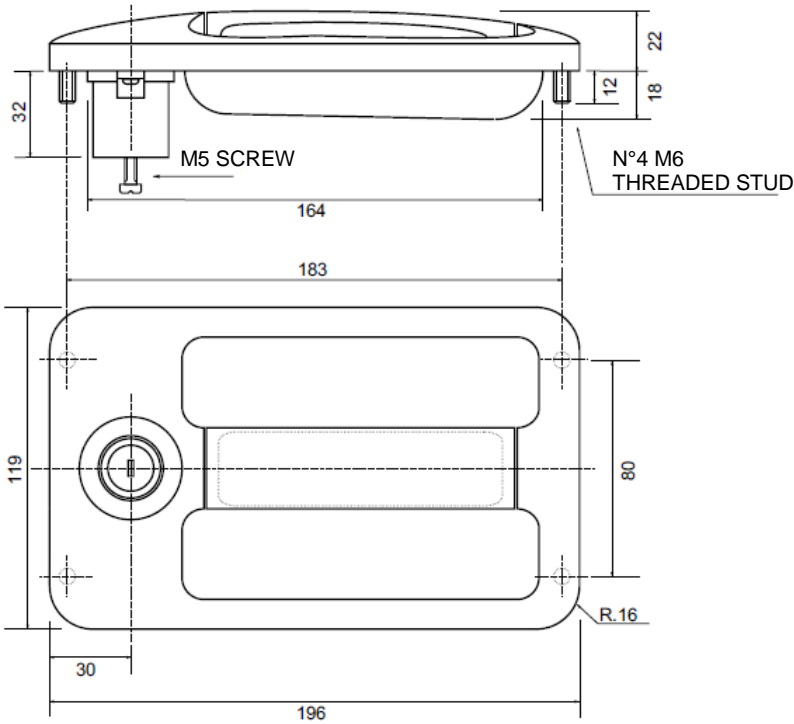
SPECIFICATION:

- **HANDLE AND FLANGE:** Gp – ZnAl4Cu1 / BLACK POWDER COATED
- **KEY:** STANDARD (COD. 129303)
- **SQUARE PIN:** ZINC PLATED STEEL

HANDLE ASSEMBLY

VERSIONS

- **Cod. 120303 RIGHT AND LEFT**
WITH STANDARD KEY (key cod. 129303)
- **Cod. 120306 RIGHT AND LEFT**
WITH AUTOMOTIVE CODED KEY (key cod. 129308)



129303



129308



SPECIFICATION:

- **HANDLE:** GREY POM
- **BUTTON:** POLYAMIDE GF U.V.
- **GASKET:** PVC

HANDLE ASSEMBLY CODE 121225

SPECIFICATION:

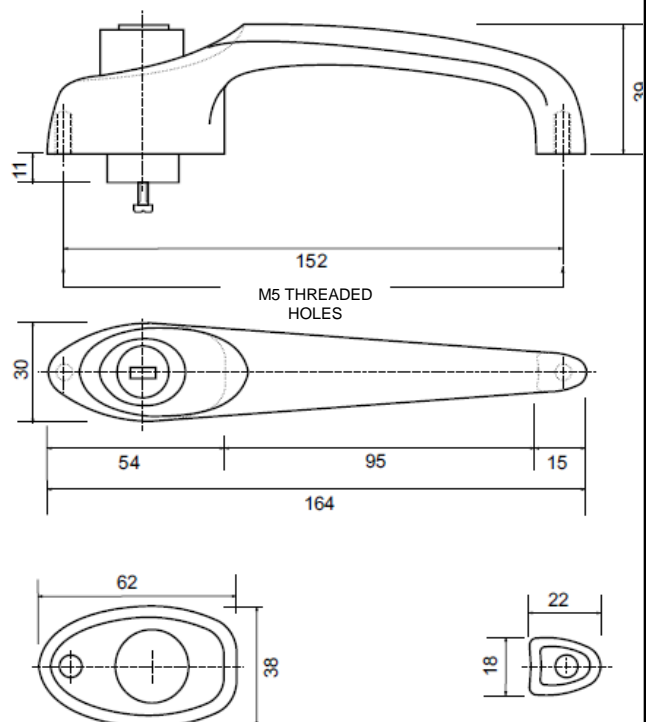
- **HANDLE:** ZINC ALLOY (ZnAl4Cu1) BLACK POWDER VARNISHED
- **BUTTON:** POLYAMIDE GF UV
- **KEY:** COD. 129303
- **GASKETS :** PVC



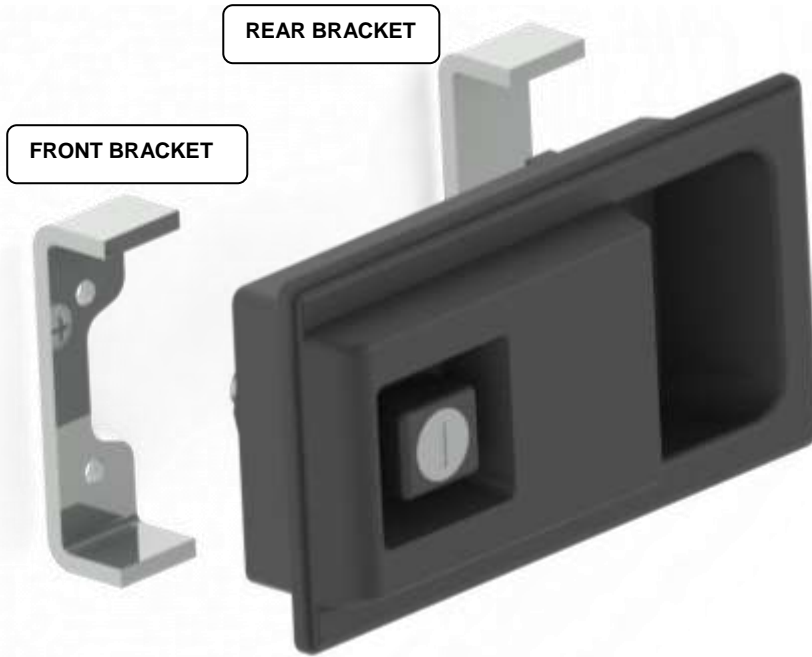
129303



GASKETS
Code 130326



FLUSH RECTANGULAR HANDLE

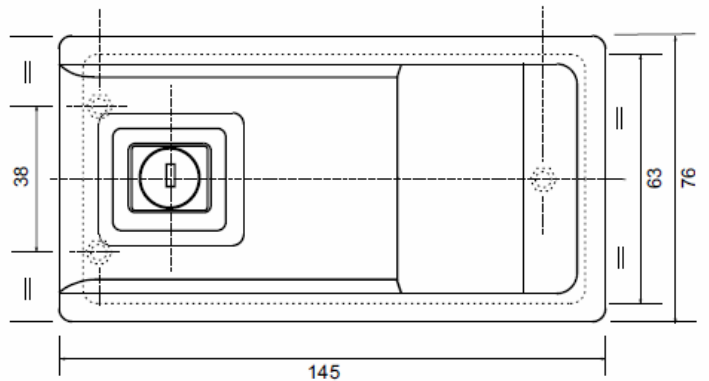
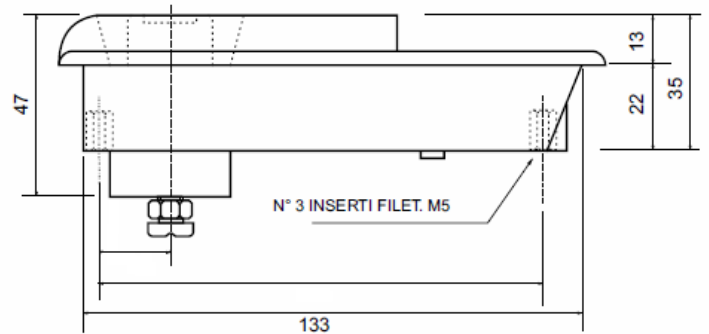


SPECIFICATION:

- **HANDLE:** POM UV BLACK
- **BUTTON:** POLYAMIDE GF UV
- **BRACKETS:** ZINC PLATED STEEL

VERSIONS

- **Cod. 120304 RIGHT AND LEFT**
WITH STANDARD KEY (cod.129303)
- **Cod. 120305 RIGHT AND LEFT**
WITH CODED AUTOMOTIVE KEY
(Cod.129308)
- **Cod. 121311 RIGHT AND LEFT**
WITH KEY COMPATIBLE WITH MERIT
IGNITION LOCKS (Cod. 129305)

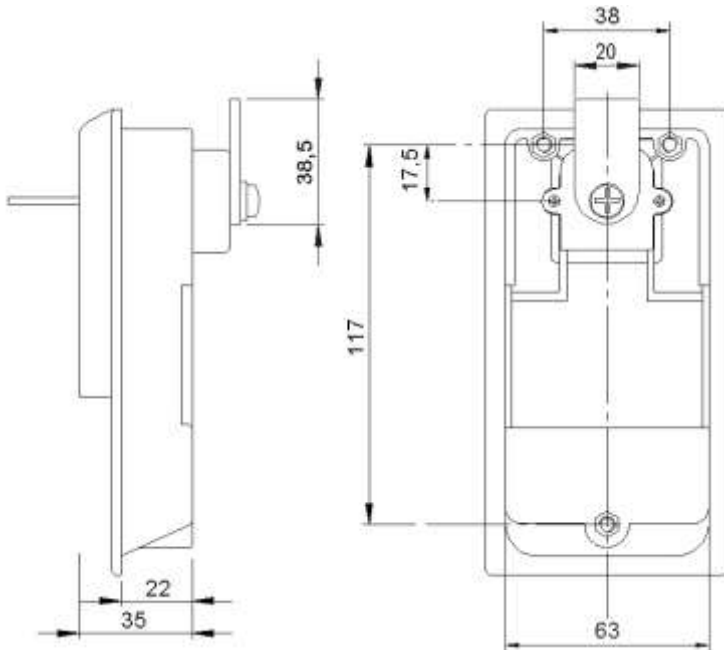


Cod. 130327 – HANDLE GASKET

MOUNTING BRACKETS:

- **FRONT** Cod. 49704
- **REAR** Cod. 49702

FLUSH RECTANGULAR HANDLE



129303



129308



129305



VERSIONI:

- **Cod. 140155 RIGHT AND LEFT**
BUTTON VERSION WITH STANDARD KEY (Cod. 129303)
- **Cod. 120311 RIGHT AND LEFT**
BUTTON VERSION WITH CODED AUTOMOTIVE KEY (COD. 129308)
- **Cod. 122311 RIGHT AND LEFT**
BUTTON VERSION WITH KEY COMPATIBLE WITH MERIT IGNITION LOCKS (COD. 129305)

HANDLE GASKET:

COD 130327

MOUNTING BRACKETS:

- **Front**
- **Rear**

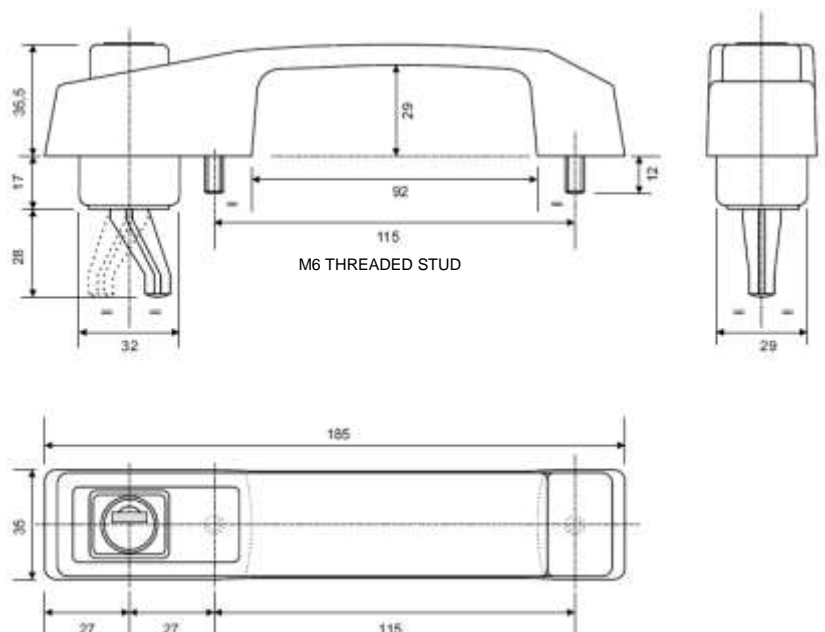
Cod. 49704
Cod. 49702

HANDLE WITH AUTOMOTIVE KEY

CODICE 120218



129309



SPECIFICATION:

- **HANDLE:** POM UV BLACK
- **BUTTON:** POLYAMIDE GF UV
- **KEY:** AUTOMOTIVE COD. 129309

PUSH BUTTON HANDLE - MERIT IGNITION TYPE KEY COMPATIBLE – ZINC ALLOY BUTTON

ARTICOLO 120320 – ARTICOLO 120321

SPECIFICATION:

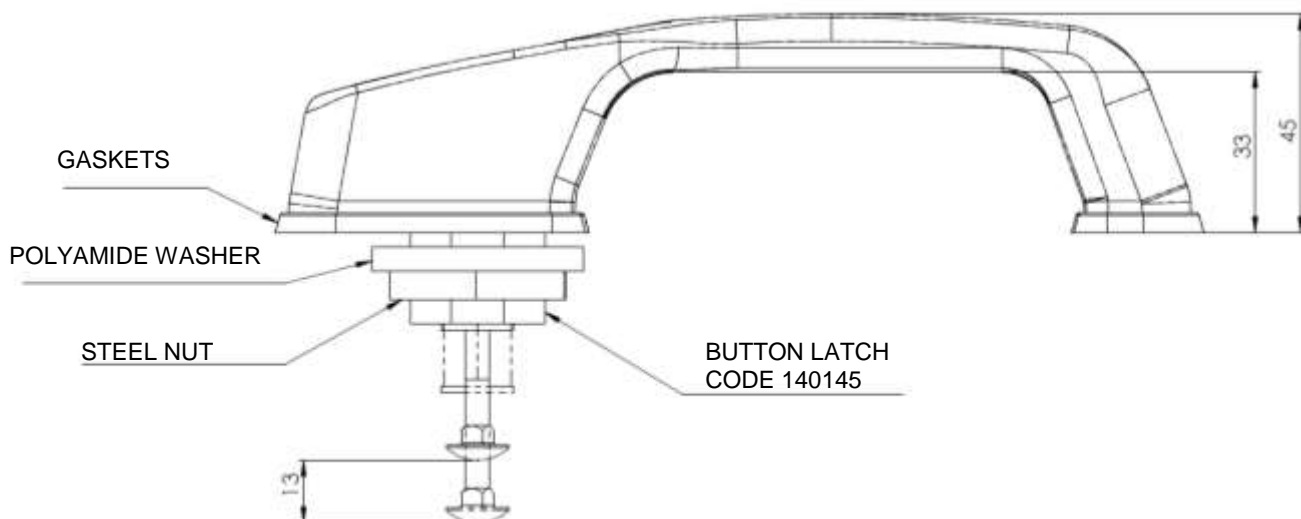
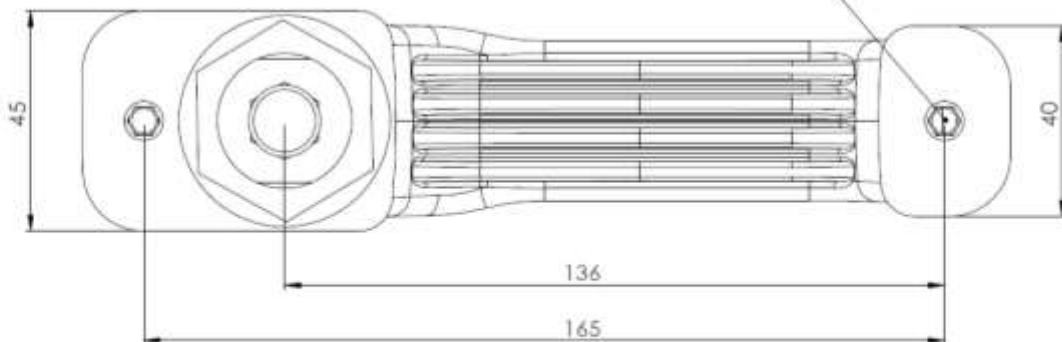
- **MANIGLIA:** POLYAMIDE GF15 UV
- **BUTTON:** ZINC ALLOY (Gp-ZnAl4Cu1- UNI3717), BLACK POWDER VARNISHED
- **KEY:** COMPATIBLE WITH MERIT IGNITION LOCKS COD. 129305
- **GASKET :** PVC, Cod.130360

VERSIONS:

- **CODE 120320 (RIGHT AND LEFT)**
MOUNTING INTERAXIS 136mm
- **CODE 120321 (RIGHT AND LEFT)**
MOUNTING INTERAXIS 165mm



N°2 M6 THREADED INSERTS



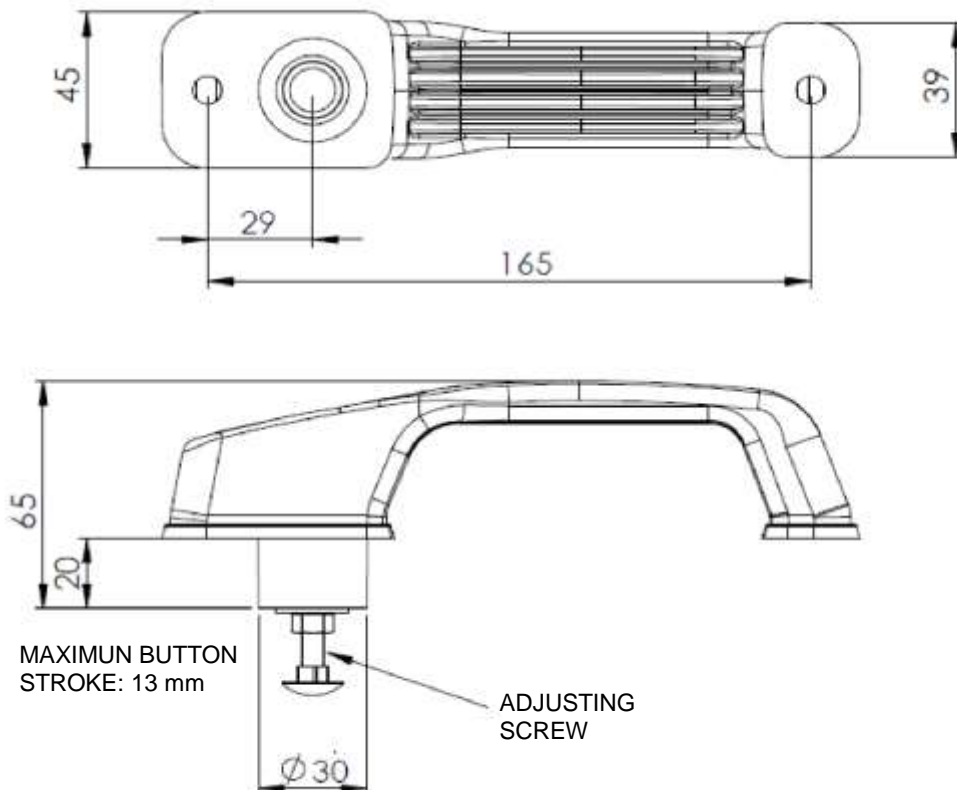
PUSH BUTTON HANDLE - MERIT IGNITION TYPE KEY COMPATIBLE - POLYAMIDE BUTTON

CODE 120322



SPECIFICATION:

- **HANDLE:** POLYAMIDE GF15 UV
- **BUTTON:** POLYAMIDE GF15 UV
- **KEY:** COMPATIBLE WITH MERIT IGNITION LOCKS (COD. 129305)
- **GASKET :** PVC, Cod.130360



METALPLAST SOPRANA'S STANDARD KEYS

129305



KEY CODE 129305 –MERIT IGNITION LOCKS KEY COMPATIBLE 14603

129304



STANDARD KEY CODE 129304

129303



STANDARD KEY CODE 129303

129308



AUTOMOTIVE CODED KEY 129308

129309



AUTOMOTIVE PLASTIFIED CODED KEY 129309