



INSTALLATION INSTRUCTIONS FOR
Coleman-Mach[®]
230/240 VAC, 1 ϕ , 50Hz
47000 SERIES
RV ROOF TOP AIR CONDITIONER/HEAT PUMP

INSTRUCTIONS D'INSTALLATION POUR
Coleman-Mach[®]
230/240 VCA, 1 ϕ , 50 Hz
SÉRIE 47000
POMPE À CHALEUR ET CLIMATISEUR DE TOIT
POUR VÉHICULE RÉCRÉATIF

INSTALLATIONSANLEITUNG FÜR
Coleman-Mach[®]
230/240 V Wechselspannung, 1 ϕ , 50 Hz
47000er SERIE
DACHKLIMAANLAGE/-WÄRMEPUMPE FÜR WOHNMOBILE

INSTRUCCIONES DE INSTALACIÓN PARA
Coleman-Mach[®]
230/240 V CA, 1 ϕ , 50 Hz
SERIE 47000
AIRE ACONDICIONADO/BOMBA DE CALOR PARA TECHO DE
CASA RODANTE (RV)



TABLE OF CONTENTS

I.	General Information	2
II.	Heat Pump Sizing	3
III.	Selecting an Installation Location	3
IV.	Installing the Roof Top Unit	3
V.	Securing the Heat Pump to the Roof	5
VI.	Electrical Wiring	7
VII.	System Wiring Diagram	8
VIII.	Installing the 9470A451 Ceiling Assembly	9

These instructions are a general guide for installing the 47000 Series, 230/240 VAC 50Hz Coleman-Mach roof top heat pumps.

IMPORTANT NOTICE

These instructions are for the use of qualified individuals specially trained and experienced in installation of this type equipment and related system components.

Installation and service personnel are required to be licensed. **PERSONS NOT QUALIFIED SHALL NOT INSTALL NOR SERVICE THIS EQUIPMENT.**

NOTE

The words “Shall” or “Must” indicate a requirement which is essential to satisfactory and safe product performance.

The words “Should” or “May” indicate a recommendation or advice which is not essential and not required but which may be useful or helpful.

WARNING – SHOCK HAZARD

To prevent the possibility of severe personal injury or equipment damage due to electrical shock, always be sure the electrical power source to the appliance is disconnected.

1. GENERAL INFORMATION

OEM – Please make sure the Customer Envelope Package accompanies the heat pump.

INSTALLER AND/OR DEALER – Please make sure the Customer Envelope Package is presented to the product consumer.

INQUIRIES ABOUT THE A/C UNIT – Inquiries to your Airxcel, Inc. representative or to Airxcel, Inc. pertaining to product installation should contain both the model and serial numbers of the roof top unit. These roof top heat pumps have

CAREFULLY FOLLOW ALL INSTRUCTIONS AND WARNINGS IN THIS BOOKLET TO AVOID DAMAGE TO THE EQUIPMENT, PERSONAL INJURY OR FIRE.

WARNING

Improper installation may damage equipment, can create a hazard and will void the warranty.

The use of components not tested in accordance with these units will void the warranty, may make the equipment in violation of state codes, may create a hazard and may ruin the equipment.

SAFETY WARNING

This appliance is not intended for use by young children or infirm persons unless they have been adequately supervised by a responsible person to ensure they can use the appliance safely.

model and serial number identification in two locations : (1) The rating plate sticker can be seen by removing the upper unit outer plastic shroud, (2) model/serial number sticker (silver color) is located on the return air section of the basepan of the roof top unit.

Additionally, if the heat pump is installed, the Manufacturer and Model Number may be viewed from the rear at the center of the basepan under the plastic shroud.

II. HEAT PUMP SIZING

The ability of a heat pump in the cooling mode to cool a vehicle or maintain a consumer desired temperature is dependent on the heat gain of the vehicle. The physical size, the window area, the quality and amount of insulation, the exposure to sunlight, the number of people using the vehicle and the outside temperature, may increase the heat gain such that the capacity of the air conditioner is exceeded.

As a general rule, air supplied (discharge air) in the cooling mode will be 15 to 20 degrees F. (8 to 12 degrees C) cooler than the air entering (return air) the ceiling assembly bottom air grilles.

For example, if the air entering the heat pump is 80 degrees F. (27 degrees C) (return air), the supply air (discharge air) into the vehicle will be 60 to 65 degrees F. (15 to 19 degrees C).

As long as this temperature difference (15 to 20 degrees F, 8 to 12 degrees C) is being maintained, the unit is operating properly.

Again, give careful consideration to the vehicle heat gain variables. During extreme outdoor temperatures, the heat gain of the vehicle may be reduced by:

- Parking the vehicle in a shaded area
- Keeping windows and doors closed
- Avoiding the use of heat producing appliances
- Using window shades (blinds and/or curtains)

For a more permanent solution to high heat gain situations, additional vehicle insulation, window awnings and/or window glass tinting should be considered.

III. SELECTING AN INSTALLATION LOCATION

Your Coleman-Mach heat pump has been designed for use primarily in recreational vehicles.

Is the roof of the vehicle capable of supporting both the roof top unit and ceiling assembly without additional support structures? Inspect the interior ceiling mounting area to avoid interference with existing structural members such as: bunks, curtains, tracks or room dividers. The depth of the ceiling assembly shroud is 51mm. Be sure to check clearance to doors which must be swung open (refrigerator – closets - cabinets).

Most of the time, roof mount heat pumps are installed at existing roof vent locations. If there is no roof vent (existing mounting hole), the following placement locations are recommended.

Motorhomes – a single unit or the forward of two units should be mounted within 2.7m of the driver compartment.

Travel Trailers or Mini-Homes – a location should be selected that is near the door slightly forward of the vehicle center length.

Vans – location should be in the center of the roof (side to side – front to back).

Truck with Camper – location should be between 1.2 and 1.5m from the rear of the camper to achieve maximum cooling effect.

IV. INSTALLING THE ROOF TOP UNIT

DANGER SHOCK HAZARD

DISCONNECT ALL POWER TO THE VEHICLE BEFORE PERFORMING ANY CUTTING TO THE VEHICLE. CONTACT WITH HIGH VOLTAGE CAN RESULT IN EQUIPMENT DAMAGE, PERSONAL INJURY OR DEATH.

IMPORTANT

TO PREVENT DAMAGE TO THE WIRING AND BATTERY, DISCONNECT THE BATTERY CABLE FROM THE POSITIVE BATTERY TERMINAL BEFORE PERFORMING ANY CUTTING TO THE VEHICLE.

Once the location for your heat pump has been determined (See Section III), a reinforced and framed roof hole opening must be provided (may use existing vent hole). Before cutting into the vehicle roof, verify that the cutting action will clear all structural members and crossbeams. Additionally, the location of any inner roof plumbing and electrical supplies must be considered.

- A. If a roof vent is already present in the desired mounting location for the heat pump, the following steps must be taken.
1. Remove all screws which secure the roof vent to the vehicle. Remove the vent and any additional trim materials. Carefully remove all caulking from around the roof opening to obtain clean exterior roof surface.
 2. It may be necessary to seal some of the old roof vent mounting screw holes which may fall outside of the heat pump basepan gasket.
 3. Examine the roof opening. If the opening is smaller than 356mm x 356mm, the opening must be enlarged.

B. If a roof vent opening is not used, a new opening (See Figure 1) will have to be cut into the vehicle roof. A matching opening will also have to be cut into the interior vehicle ceiling. If the ceiling opening is carpeted, snagging could occur. After the opening in the roof and interior ceiling are the correct size, a framed support structure must be provided between the exterior roof top and interior ceiling. The reinforced framed structure must provide the following guidelines:

1. Capable of supporting both the weight of the roof top heat pump and the interior ceiling assembly.
2. Capable of holding or supporting the roof outer surface and interior ceiling apart, so that when the roof top heat pump and ceiling assembly are bolted together, no collapsing occurs.

Airxcel, Inc. recommends that the spacing from the vehicle roof top to the interior ceiling top be no less than 25mm. A typical support frame is shown in Figure 1.

The frame must provide an opening through the frame to allow passage for the power supply wiring. Route the supply wiring through the frame at the same time the support frame is being installed.

- C. The heat pump must be mounted as near level front to rear and side to side as possible when the vehicle is parked level. Figure 2 shows the maximum allowable degree deviations.

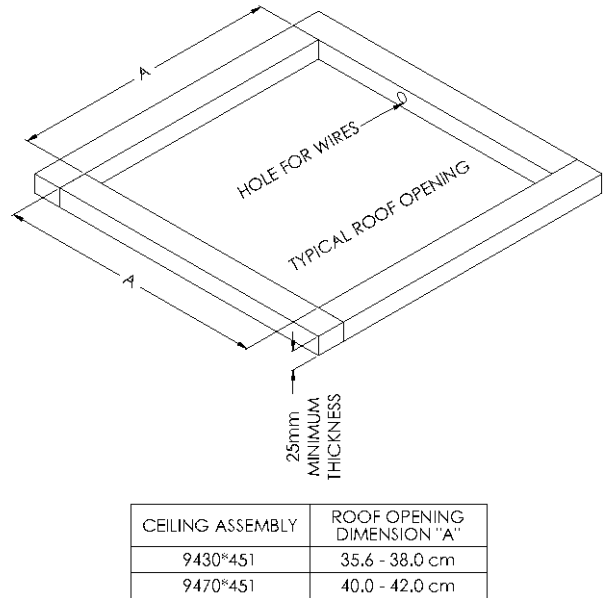


FIGURE 1

IMPORTANT – Allow 600mm of supply wiring through the support frame (working length).

After the support frame is installed, seal **all gaps** between the frame and both the roof exterior and the supply wiring.

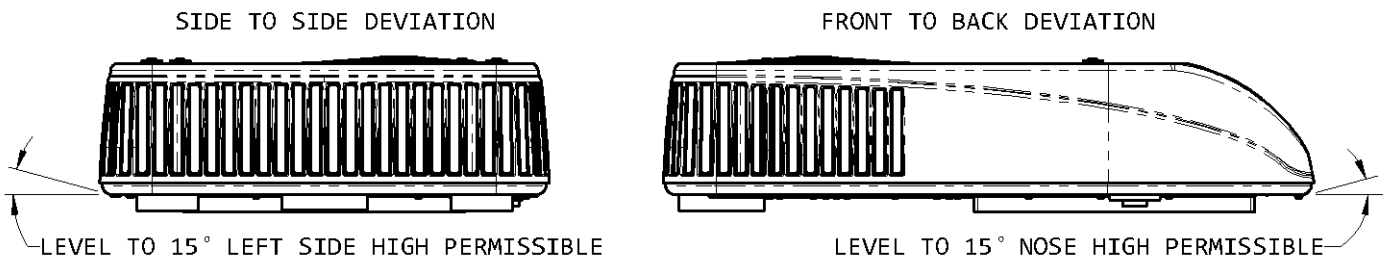


FIGURE 2

If the roof of the vehicle is sloped such that the heat pump cannot be mounted within the maximum allowable degree deviations, an exterior leveling shim will need to be added to make the unit level. A typical front to back leveling shim is shown in Figure 3.

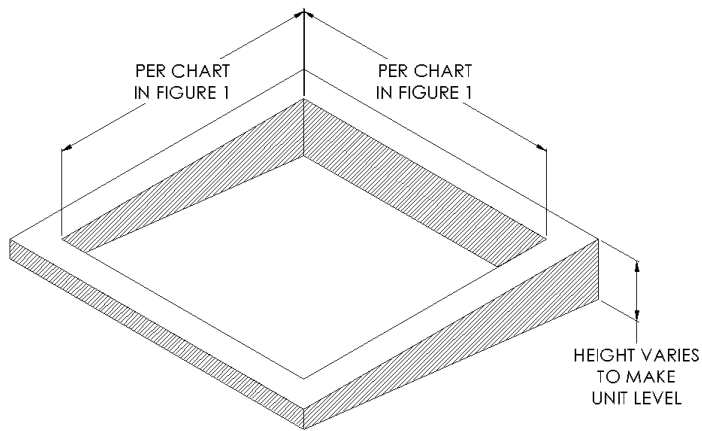


FIGURE 3

V. SECURING THE HEAT PUMP TO THE ROOF

See Figure 4

A mounting frame is supplied with the ceiling assembly. Follow the steps below to secure the heat pump to the roof.

- A. Locate the heat pump mount gasket over the 356mm to 381mm square opening in the roof.
- B. Install the ceiling assembly mount frame using the four bolts, washers and springs found with the ceiling assembly.

Once the heat pump has been leveled, some additional shimming may be required above the interior ceiling assembly. The heat pump and the interior ceiling assembly must have a squared installation relationship before they are secured together.

- D. After the mounting hole is properly prepared, remove the carton and shipping pads from around the heat pump. **Carefully** lift the unit to the top of the vehicle. Do not use the outer plastic shroud for lifting. Place the heat pump over the prepared mounting hole. The pointed end (nose) of the shroud must face towards the front of the vehicle. Pull down all loose electrical connectors from the heat pump through the mounting opening and let hang.
- C. Proper tension has been achieved for each bolt when the spring coils have just come together (See Figure 4). The upper unit has now been properly installed with optimum gasket compression.
- D. If the heat pump is equipped with an optional evaporator condensate pump, a 13 mm I.D. hose must be provided that runs from the 357 mm square opening, through the vehicle ceiling and down the side wall to allow water to drain under the vehicle. The hose must not be allowed to kink shut while making a bend. Connect the top end of the drain hose to the barbed fitting shown in Figure 4.

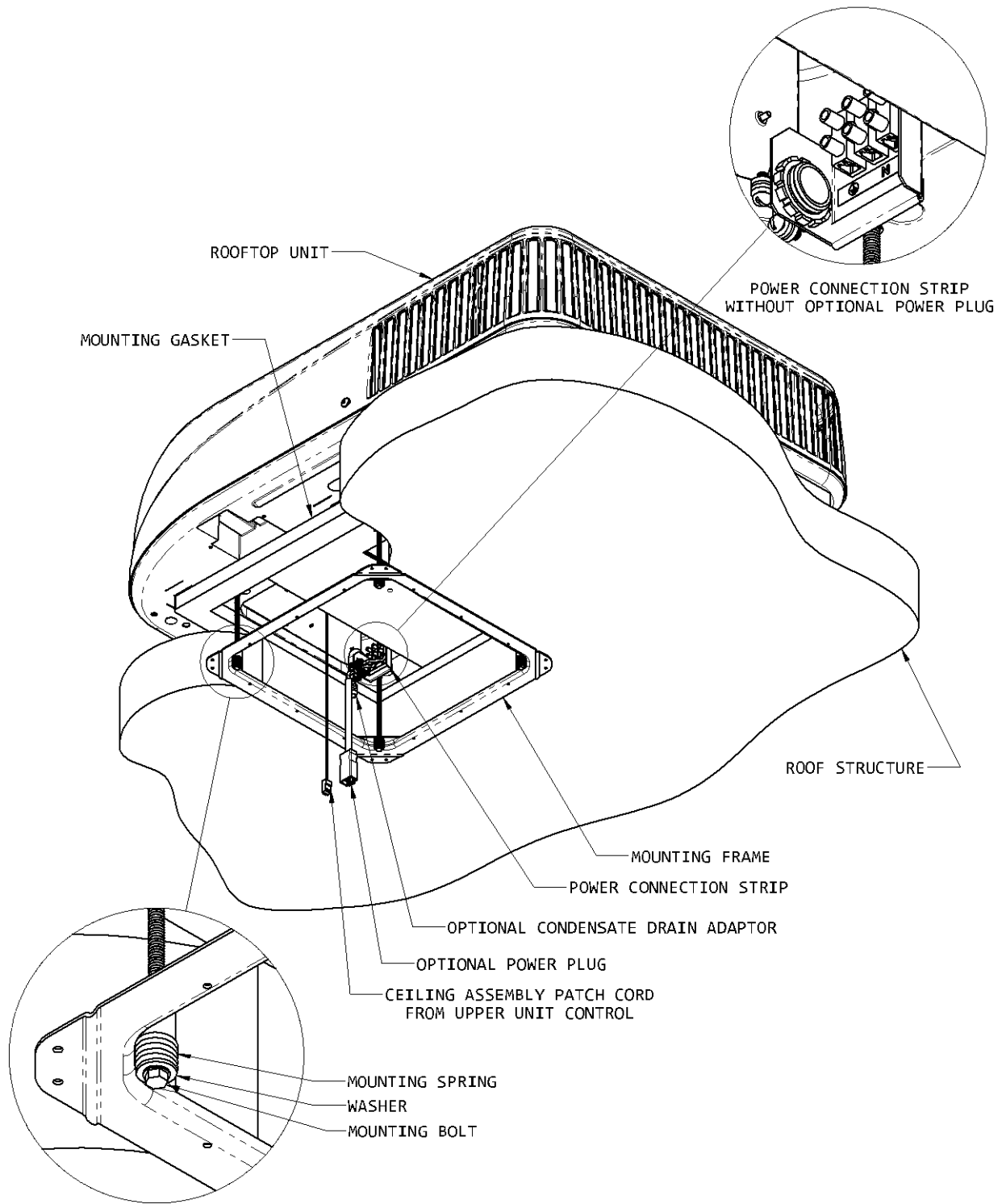


FIGURE 4

VI. ELECTRICAL WIRING

ROUTING 230/240 VAC WIRING **See Figure 4**

Following high voltage wiring specifications and all local and national electrical codes, route the 230/240 VAC supply wiring from its power source through the strain relief and connect to the power strip. Tighten screws to 8 Kg-centimeters torque. Some OEM units are equipped with a pre-wired power umbilical with plug which will snap-lock into the OEM supplied mating part.

High Voltage Wiring Specifications

Refer to most recent Standards for Wiring Rules

INSTALLER MUST PROVIDE A TWO POLE DISCONNECT FOR ACTIVE AND NEUTRAL.

MAXIMUM OVERCURRENT PROTECTIVE DEVICE FOR THESE UNITS: 15 AMPS

DANGER – SHOCK HAZARD

MAKE SURE THAT ALL POWER SUPPLY TO THE UNIT IS DISCONNECTED BEFORE PERFORMING ANY WORK ON THE UNIT TO AVOID THE POSSIBILITY OF SHOCK INJURY OR DAMAGE TO THE EQUIPMENT.

DANGER

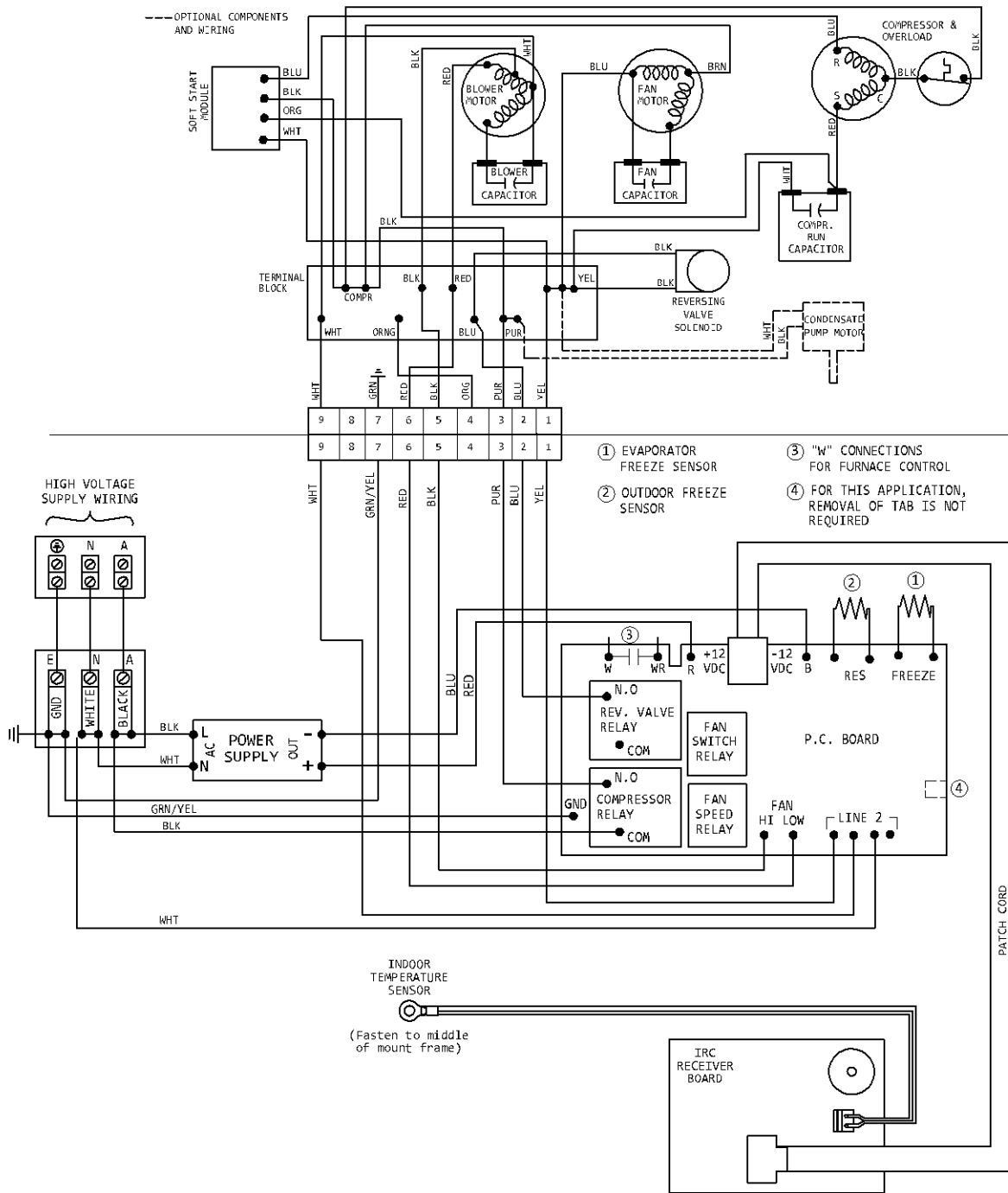
WITH NON-METALLIC SHEATH CABLES (ROMEX, ETC.), STRIP SHEATH BACK TO EXPOSE 100-150mm OF SUPPLY LEADS. STRIP INDIVIDUAL WIRE LEAD ENDS FOR WIRE CONNECTION (ABOUT 19mm BARE WIRE). INSERT SUPPLY WIRES INTO THE ELECTRICAL CONNECTOR CLAMP. SHEATH MUST PROTRUDE PAST THE CLAMP BUSHING INSIDE THE BOX. MAKE SURE CABLE IS CENTERED IN CLAMP BEFORE TIGHTENING. DO NOT OVERTIGHTEN!!

THIS COULD RESULT IN PINCHING THROUGH THE PLASTIC WIRE INSULATION AND CAUSE SHORTING OR “HOT” WIRES TO GROUND (SHOCK HAZARD). THE CLAMP IS INTENDED FOR STRAIN RELIEF OF THE WIRES. SLIGHT PRESSURE IS USUALLY SUFFICIENT TO ACCOMPLISH THIS.

SOME OEM MODELS WILL BE EQUIPPED WITH A PRE-INSTALLED POWER PLUG ASSEMBLY WHICH IS NOT REQUIRED TO PASS THROUGH AN ADDITIONAL STRAIN RELIEF.

VII.

SYSTEM WIRING DIAGRAM



VIII. INSTALLING THE 9470A451 CEILING ASSEMBLY

Refer to Figures 5 and 6

NOTE

The following step by step instructions must be performed in sequence to insure a quick and easy installation.

- A. Remove the grilles and filters from the ceiling assembly shroud.
- B. Locate the cloth duct assembly and attach to the upper unit basepan with three of the provided short screws.
- C. Raise the ceiling assembly chute to align with the cloth duct assembly. Attach the chute to the steel mount frame with 4 short screws provided. Unfurl the cloth duct to drop through the ceiling assembly opening.
- D. Gently peel off the release liner from the VHB (Very High Bond) double sided tape. Press the cloth duct uniformly around the perimeter of the opening to adhere the cloth duct to the plastic chute. Carefully trim the excess cloth duct (a razor knife is very effective for this).
- E. Plug in the room temperature sensor to the receptacle on the ceiling assembly shroud. Raise the shroud up near the mount frame and push the temperature sensor up through the center opening of the air chute and allow the sensor to hang over the side of the chute.
- F. Align the shroud with the air chute insuring that no wires are trapped between plastic parts. Attach the shroud to the steel frame with 4 short screws provided.
- G. Attach the room temperature sensor to a middle hole of the steel mount frame with a short screw provided.
- H. Replace the filters and retaining grilles. Using the long screws provided, mount the hand held remote control holster to an interior wall at a height of 24 cm. in a location to prevent outlet air from playing onto the remote control and within "line of sight" to the ceiling assembly sensor. Avoid locations near heat producing appliances or direct exposure to sunlight. This is particularly important if using the "follow me" mode of the system in which the temperature sensing will be by the hand held remote instead of the sensor mounted in the ceiling assembly return airstream.
- I. Install the batteries into the hand held unit.
- J. Restore power to the system.

This concludes the installation of the system. The owner's manual contains the operating and maintenance instructions.

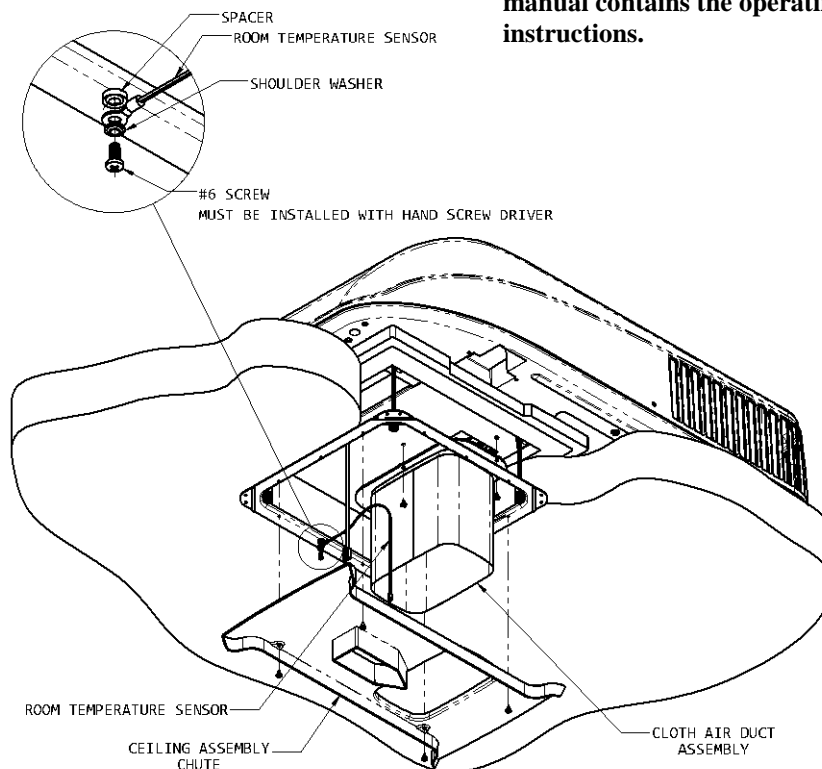


FIGURE 5

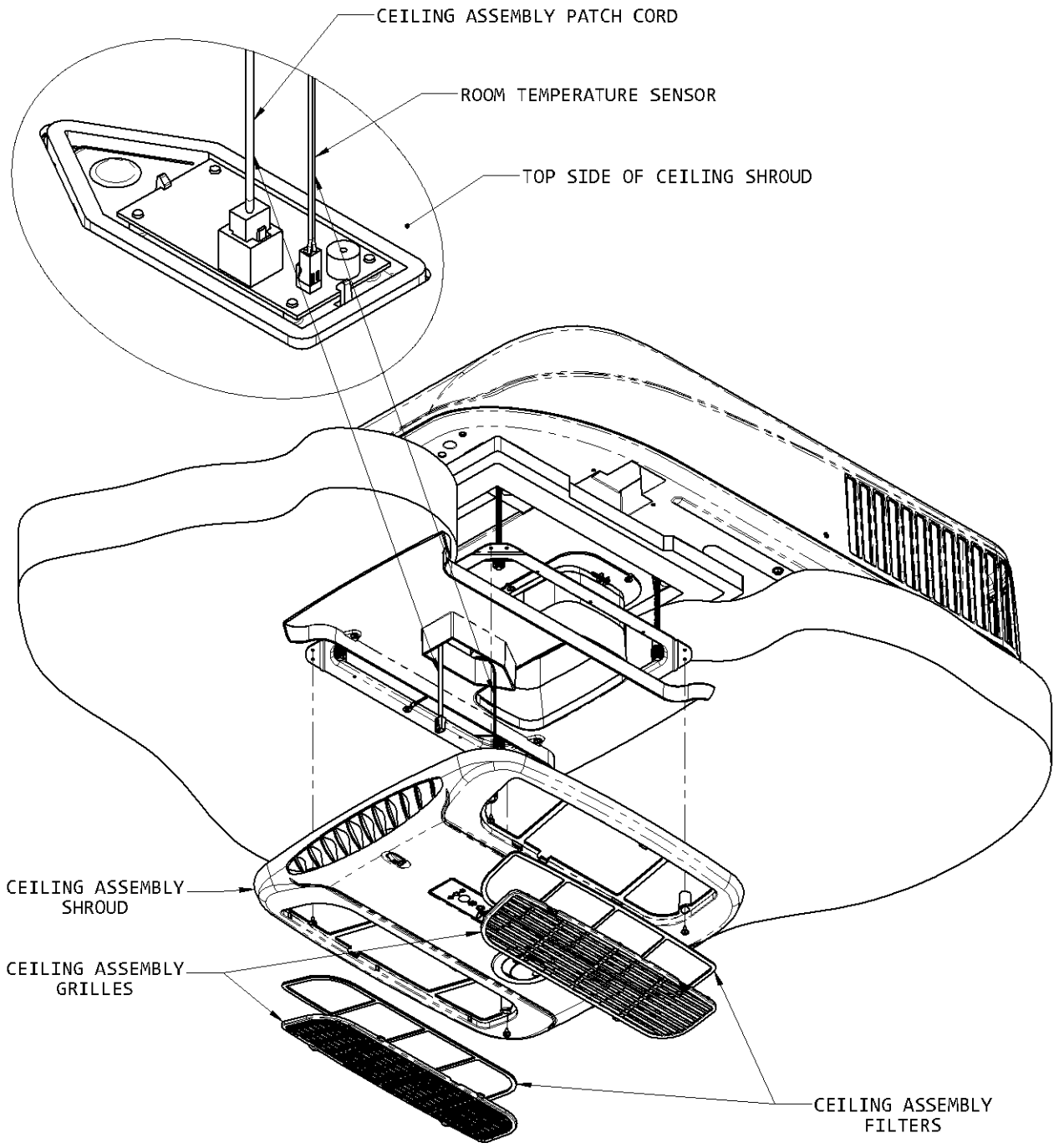


FIGURE 6

TABLE DES MATIÈRES

I.	Information générale	11
II.	Sélection d'une pompe à chaleur appropriée	12
III.	Sélection de l'emplacement d'installation	12
IV.	Installation de l'unité de toit	12
V.	Fixation de la pompe à chaleur au toit	13
VI.	Câblage électrique	14
VII.	Diagramme de câblage du système	15
VIII.	Installation de l'ensemble de plafond 9470A451	15

Les présentes instructions sont un guide général pour l'installation des pompes à chaleur de toit 230/240 VCA 50 Hz de la série 47000 de Coleman-Mach.

AVIS IMPORTANT

Ces instructions sont conçues pour être utilisées par un installateur qualifié spécialement formé et expérimenté dans l'installation de ce type d'équipement et des éléments s'y rattachant.

Il est obligatoire que le personnel d'installation et d'entretien détienne une licence. **AUCUNE PERSONNE NON QUALIFIÉE NE DOIT INSTALLER OU ENTREtenir CET ÉQUIPEMENT.**

REMARQUE

Les mots « doit » ou « devra » indiquent une obligation essentielle pour garantir la performance satisfaisante et sécuritaire du produit.

Les mots « devrait » ou « peut » indiquent une recommandation non essentielle et non requise, mais qui peut s'avérer utile et efficace.

AVERTISSEMENT : RISQUE DE DÉCHARGE ÉLECTRIQUE

Afin de prévenir la possibilité de graves blessures corporelles ou des dommages à l'équipement dus à une

décharge électrique, s'assurer de toujours débrancher le câble d'alimentation de l'appareil.

SUIVEZ ATTENTIVEMENT TOUTES LES INSTRUCTIONS ET LES MISES EN GARDE DE CE FASCICULE AFIN D'ÉVITER LES RISQUES DE DOMMAGES À L'ÉQUIPEMENT, DE BLESSURES CORPORELLES OU D'INCENDIE.

MISE EN GARDE

L'installation inappropriée peut endommager l'équipement, créer un danger et annulera la garantie.

L'utilisation de composants non testés en conformité avec ces appareils annulera la garantie, peut contrevenir aux codes d'État ou provinciaux, peut créer un danger et peut abîmer l'équipement.

AVERTISSEMENT DE SÉCURITÉ :

Cet appareil n'est pas conçu pour être utilisé par de jeunes enfants ou par des personnes ayant un handicap à moins qu'ils ne soient supervisés par une personne responsable pour s'assurer que l'appareil est utilisé de façon sécuritaire.

1. INFORMATION GÉNÉRALE

FEO : Assurez-vous que les enveloppes pour le client sont livrées avec la pompe à chaleur.

INSTALLATEUR OU MARCHAND : Veuillez vous assurer de remettre les enveloppes pour le client à l'acheteur du produit.

DEMANDES D'INFORMATION SUR LA POMPE À CHALEUR ET À CLIMATISATION : Les demandes d'information sur l'installation du produit présentées à votre représentant Airxcel ou à Airxcel, inc. devraient contenir le

nom et le numéro de série de l'appareil de toit. Le nom et le numéro de série se situent à deux endroits sur toutes les pompes à chaleur de toit : (1) La plaque signalétique autocollante peut être consultée en enlevant le carénage de plastique extérieur de l'appareil supérieur, (2) l'autocollant de nom et de numéro de série (de couleur argentée) se trouve sur la section de retour d'air sur la base de l'unité de toit. De plus, si la pompe à chaleur est installée, le fabricant et le numéro de modèle se trouvent au centre de l'arrière de la base sous le carénage de plastique.

II. SÉLECTION D'UNE POMPE À CHALEUR APPROPRIÉE

La capacité d'une pompe à chaleur, en mode refroidissement, à refroidir un véhicule ou à maintenir une température voulue dépend de l'apport de chaleur du véhicule. La taille physique, la surface des fenêtres, la quantité et la qualité de l'isolation, l'ensoleillement direct, le nombre de personnes dans le véhicule et la température extérieure peuvent augmenter l'apport de chaleur dans une mesure qui dépasse la capacité du climatiseur.

En règle générale, l'air soufflé (air de décharge) en mode refroidissement sera de 15 à 20° Fahrenheit (8 à 12° Celsius) plus frais que l'air entrant (air repris) dans les grilles à air inférieures de l'ensemble du toit.

Par exemple, si la température de l'air entrant (air repris) dans la pompe à chaleur est 80° Fahrenheit (27° Celsius), l'air soufflé (air de décharge) dans le véhicule sera de 60 à 65° Fahrenheit (15 à 19° Celsius). Tant et aussi longtemps que cet

écart de températures (15 à 20° Fahrenheit, 8 à 12° Celsius) est maintenu, l'unité fonctionne correctement.

Ne pas oublier de considérer les variables d'apport de chaleur de véhicule. En période de températures ambiantes extrêmes, l'apport de chaleur du véhicule peut être réduit en :

- stationnant le véhicule à l'ombre;
- gardant les fenêtres et les portes fermées;
- évitant d'utiliser des appareils producteurs de chaleur;
- utilisant des stores ou des rideaux.

Pour une solution plus durable aux situations d'apport de chaleur élevé, songez à une meilleure isolation du véhicule, à installer des auvents au-dessus des fenêtres ou à les faire teinter.

III. SÉLECTION DE L'EMPLACEMENT D'INSTALLATION

Votre pompe à chaleur Coleman-Mach est conçue principalement à l'intention de véhicules récréatifs.

Le toit du véhicule peut-il accueillir l'unité de toit et l'ensemble de plafond sans être renforcé? Inspecter la zone de montage du plafond afin d'éviter d'interférer avec des éléments structuraux tels que lits superposés, rideaux, tringles à rideaux ou séparations. Le carénage de l'ensemble de plafond est d'une épaisseur de 51 mm (2 po). S'assurer de confirmer le dégagement pour les portes (réfrigérateur, garde-robes et armoires).

Généralement, les pompes à chaleur de toit sont installées à l'emplacement des événements de toit existants. En absence d'un événement de toit (ouverture d'installation existante), nous recommandons les endroits ci-dessous.

Autocaravanes : une unité unique ou l'unité avant de deux unités devrait être installée à moins de 2,7 m (9 pi) du compartiment du conducteur.

Caravanes classiques ou maisons mobiles : l'emplacement sélectionné devrait se situer près de la porte, légèrement en avant de la ligne centrale de longueur du véhicule.

Fourgonnettes de camping : l'appareil devrait être installé en plein centre du toit (gauche à droite et d'avant à arrière).

Camion avec boîte campeur : afin d'obtenir le refroidissement maximum, l'emplacement devrait se situer de 1,2 à 1,5 m (4 à 5 pi) de l'arrière de la boîte.

IV. INSTALLATION DE L'UNITÉ DE TOIT

DANGER RISQUE DE DÉCHARGE ÉLECTRIQUE

DÉBRANCHER TOUTE ALIMENTATION ÉLECTRIQUE DU VÉHICULE AVANT DE FAIRE DU DÉCOUPAGE. TOUT CONTACT AVEC UNE SOURCE DE HAUTE TENSION PEUT PROVOQUER DES BLESSURES CORPORELLES OU LA MORT, ET DES DOMMAGES À L'ÉQUIPEMENT.

IMPORTANT

AFIN D'ÉVITER D'ENDOMMAGER LE CÂBLAGE ET LA BATTERIE, DÉBRANCHER LE CÂBLE DE LA BORNE POSITIVE DE LA BATTERIE AVANT D'EXÉCUTER TOUT DÉCOUPAGE DU VÉHICULE.

Une fois l'emplacement de votre pompe à chaleur identifié (voir section III), une ouverture de toit renforcée et encadrée. Une fois l'emplacement de votre pompe à chaleur identifié (voir section III), préparer une ouverture de toit renforcée et encadrée (une ouverture d'événement existante peut convenir). Avant de commencer le découpage du toit du véhicule, confirmer qu'aucun élément de structure ou entretoise ne sera touché. De plus, songer à l'emplacement de toute plomberie et alimentation électrique à l'intérieur du toit.

- A. Si un événement de toit est déjà présent à l'emplacement désiré pour la pompe à chaleur, les étapes suivantes doivent être suivies.
1. Retirer toutes les vis qui fixent l'événement de toit au véhicule. Enlever l'événement et tout garnissage supplémentaire. Enlever prudemment tout calfeutrage autour de l'ouverture du toit afin que l'extérieur de la surface soit propre.
 2. Il est nécessaire de boucher les trous des vis qui tenaient en place l'ancien événement de toit si ceux-ci se retrouvent à l'extérieur du joint de la base de la nouvelle unité.
 3. Examiner l'ouverture du toit. Si l'ouverture est plus petite que 356 mm x 356 mm, elle doit être agrandie.

B. Si l'ouverture de l'événement de toit n'est pas utilisée, une nouvelle ouverture (voir la figure 1) devra être coupée dans le toit du véhicule. Une ouverture correspondante devra aussi être coupée dans le plafond du véhicule. Si l'ouverture du plafond est recouverte de tapis, il pourrait y avoir accrochage. Une fois que l'ouverture du toit et l'ouverture du plafond sont de la bonne grandeur, une structure-cadre de support doit être insérée entre le toit extérieur et le plafond intérieur. La structure-cadre renforcée doit être :

1. capable de supporter le poids de la pompe à chaleur de toit ainsi que l'ensemble de plafond d'intérieur;
2. capable de tenir ou de supporter la surface extérieure du toit et le plafond intérieur séparés afin qu'il n'y ait pas d'effondrement une fois la pompe à chaleur et l'ensemble de plafond fixés.

Airxcel, inc. recommande que l'espace entre le toit et le plafond intérieur ne soit pas inférieur à 25 mm. Un cadre de support standard est illustré sur la figure 1.

Le cadre doit fournir l'espace nécessaire au câblage d'alimentation électrique. Passer le câblage d'alimentation à travers le cadre au moment de l'installation de celui-ci.

- C. La pompe à chaleur doit être montée le plus au niveau possible de l'avant vers l'arrière et de gauche à droite lorsque le véhicule est stationné au niveau. La figure 2 illustre les degrés de déviation maximum.

IMPORTANT : Insérer 600 mm de câblage d'alimentation dans le cadre de support (longueur utile).

Après l'installation du cadre de support, sceller **tous les trous** entre le cadre et l'extérieur du toit et le câblage d'alimentation.

Si le toit du véhicule est trop incliné pour que l'installation de la pompe à chaleur respecte la déviation maximum permise, une cale d'ajustement extérieure devra être ajoutée pour mettre l'unité au niveau. Une cale de l'avant vers l'arrière standard est illustrée sur la figure 3.

Une fois la pompe au niveau, des ajustements peuvent être nécessaires au-dessus de l'ensemble de plafond intérieur. La pompe à chaleur et l'ensemble de plafond intérieur doivent être installés en forme carrée avant d'être fixés ensemble.

- D. Une fois les trous de montage préparés adéquatement, enlever le carton et les protections qui enveloppent la pompe à chaleur. Monter l'unité, de façon sécuritaire, sur le toit du véhicule. Ne pas soulever à l'aide du carénage en plastique. Mettre la pompe à chaleur sur le trou de montage. La partie pointue (nez) du carénage doit être orientée vers l'avant du véhicule. Tirer vers le bas tous les connecteurs électriques lâches de la pompe à chaleur par l'ouverture de montage et les laisser pendre.

V. FIXATION DE LA POMPE À CHALEUR AU TOIT

Voir la figure 4.

L'ensemble de plafond comprend un cadre de montage. Fixer la pompe à chaleur au toit en suivant les étapes ci-dessous.

- A. Localiser le joint de montage de la pompe à chaleur sur l'ouverture carrée de 356 mm à 381 mm dans le toit.
- B. Installer le cadre de montage de l'ensemble de plafond à l'aide des quatre boulons, des rondelles et des ressorts qui se trouvent avec l'ensemble de plafond.

- C. La tension adéquate est atteinte pour chaque boulon lorsque les serpentins à ressorts sont mis ensemble (voir la figure 4). L'unité supérieure est maintenant bien installée avec une compression de joint optimale.

- D. Si la pompe est équipée d'une pompe d'évaporation de condensat, un boyau avec D.I. de 13 mm passant par l'ouverture de 357 mm, à travers le plafond du véhicule et le long du mur pour permettre à l'eau d'être drainée sous le véhicule doit être fourni. Le boyau ne doit former aucun pli fermé lorsqu'il est

courbé. Connecter le bout supérieur du boyau de

drainage au raccord à entailles illustré sur la figure 4.

VI. CÂBLAGE ÉLECTRIQUE

ACHEMINEMENT DU CÂBLAGE 230/240 VCA

Voir la figure 4.

En respectant les spécifications pour le câblage haute tension et l'ensemble des codes de l'électricité locaux et nationaux, acheminer le câblage d'alimentation 230/240 VCA de sa source d'alimentation en passant par les réducteurs de tension jusqu'à la multiprise. Serrer les vis à un couple de 8 kg/cm. Certaines unités FEO sont équipées d'un cordon d'alimentation ombilical précablé avec prise qui se verrouille à la pièce correspondante fournie par le FEO.

Spécifications du câblage haute tension

Consulter les plus récents standards de réglementation en matière de câblage

L'INSTALLATEUR DOIT FOURNIR UN SECTIONNEUR BIPOLAIRE POUR L'ACTIF ET LE NEUTRE.

DISPOSITIF DE PROTECTION POUR LA SURINTENSITÉ MAXIMUM POUR CES UNITÉS : 15 AMPÈRES

DANGER : RISQUE DE DÉCHARGE ÉLECTRIQUE

AFIN D'ÉVITER TOUTE BLESSURE PAR DÉCHARGE ÉLECTRIQUE ET TOUT DOMMAGE À L'ÉQUIPEMENT, CONFIRMER QUE TOUTES LES SOURCES D'ALIMENTATION DE L'UNITÉ SONT DÉBRANCHÉES AVANT D'ENTREPRENDRE QUELQUE TRAVAIL QUE CE SOIT SUR L'APPAREIL.

DANGER

AVEC DES CÂBLES NON-MÉTALLIQUES GAINÉS (ROMEX, ETC.), DÉNUDER SUR UNE LONGUEUR DE 100 à 150 mm. DÉNUDER LES EXTRÉMITÉS DES FILS POUR LA CONNEXION (ENVIRON 19 mm DE FIL NU). INSÉRER LES CÂBLES D'ALIMENTATION DANS LE SERRE-CÂBLE DU CONNECTEUR ÉLECTRIQUE. LA GAINÉ DOIT PÉNÉTRER AU-DELÀ DE LA DOUILLE DU SERRE-CÂBLE DANS LA BOÎTE. S'ASSURER QUE LE CÂBLE EST CENTRÉ DANS LE SERRE-CÂBLE AVANT DE RESSERRER. NE PAS TROP SERRER!

CECI POURRAIT ENTRAÎNER UN PINCEMENT DANS LA GAINÉ ISOLANTE EN PLASTIQUE ET PROVOQUER LA PRÉSENCE D'UN COURT-CIRCUIT OU DE FILS CHARGÉS À LA MASSE (DANGER DE DÉCHARGE ÉLECTRIQUE). LE SERRE-CÂBLE EST CONÇU POUR RÉDUIRE LA TENSION DES CÂBLES. UNE PRESSIION LÉGÈRE EST HABITUELLEMENT SUFFISANTE POUR ACCOMPLIR CECI.

CERTAINS MODÈLES FEO SONT ÉQUIPÉS D'UN ENSEMBLE DE PRISES D'ALIMENTATION PRÉINSTALLÉES QUI N'A PAS BESOIN DE PASSER PAR UN RÉDUCTEUR DE TENSION ADDITIONNEL.

VII.

Diagramme de câblage du système

Voir la page 8

VIII. INSTALLATION DE L'ENSEMBLE DE PLAFOND 9470A451

Consulter les figures 5 et 6.

REMARQUE

Les instructions suivantes doivent être exécutées une à une dans l'ordre qui suit afin d'assurer une installation rapide et appropriée.

- A. Retirer les grilles et les filtres du carénage de l'ensemble de plafond.
- B. Localiser l'ensemble de conduits gainés et attacher la base de l'unité supérieure à l'aide des trois vis courtes fournies.
- C. Soulever la chute de l'ensemble de plafond pour l'aligner avec l'ensemble de conduits gainés. Attacher la chute au cadre de montage en acier avec les 4 vis courtes fournies. Déployer les conduits gainés par l'ouverture de l'ensemble de plafond.
- D. Peler doucement la pellicule de protection du ruban adhésif à double-face VHB (à très forte adhésion). Appuyer uniformément sur le conduit gainé tout autour du périmètre de l'ouverture pour que le conduit adhère à la chute de plastique. Couper l'excès de conduit gainé avec prudence (une lame de rasoir est très efficace pour cette opération).
- E. Brancher le capteur de température de la pièce à la prise du carénage de l'ensemble de plafond. Soulever le carénage près du cadre de montage et pousser le capteur de température vers le haut à travers l'ouverture centrale de la chute d'air et laisser le capteur pendre sur le côté de la chute. Brancher la fiche de connexion de l'unité supérieure à la prise sur le carénage de l'ensemble de plafond comme illustré dans la section agrandie de la figure 6.
- F. Aligner le carénage avec la chute d'air pour s'assurer qu'aucun câble n'est pris entre les pièces de plastique. Attacher le carénage au cadre de montage en acier avec les 4 vis courtes fournies.
- G. Attacher le capteur de température de la pièce à un trou central du cadre de montage en acier avec une vis courte (fournie).
- H. Replacer les filtres et les grilles de fixation. À l'aide des longues vis fournies, fixer le support de la télécommande manuelle de contrôle à distance à un mur intérieur à une hauteur de 24 cm à un emplacement où la sortie d'air n'affectera pas le contrôle à distance et où il sera en ligne directe avec le capteur de l'ensemble de plafond. Éviter les emplacements à proximité des appareils qui produisent de la chaleur ou les emplacements exposés au soleil. Ces instructions sont particulièrement importantes si vous utilisez le mode « Follow Me » (Suivez-moi) du système dans lequel la température sera captée à distance par la télécommande contrairement à un capteur fixé dans le retour d'air de l'ensemble de plafond.
- I. Insérer les piles dans la télécommande.
- J. Remettre l'alimentation électrique en marche.

Ceci conclut l'installation du système. Le manuel de l'utilisateur contient des instructions de fonctionnement et d'entretien.

INHALT

I.	Allgemeine Informationen	16
II.	Bemessung Wärmepumpe	17
III.	Auswahl eines Installationsorts	17
IV.	Installation der Dachanlage	17
V.	Befestigung der Wärmepumpe am Dach	19
VI.	Elektrische Verdrahtung	19
VII.	System-Schaltschema	20
VIII.	Installation der Deckeneinheit 9470A451	20

Bei dieser Anleitung handelt es sich um einen allgemeinen Leitfaden für die Installation von Coleman-Mach-Dach-Wärmepumpen der 47000er Serie mit 230/240 V Wechselspannung, 50 Hz.

WICHTIGER HINWEIS

Die Anweisungen sind ausschließlich für geschulte Mitarbeiter bestimmt, die in der Installation dieser Art von Geräten und der verwandten Systemkomponenten eigens geschult sind und über die entsprechenden Erfahrungen verfügen.

Die Installations- und Service-Mitarbeiter müssen über eine Lizenz verfügen. **NICHT AUSREICHEND QUALIFIZIERTE MITARBEITER DÜRFEN KEINE INSTALLATIONS- UND INSTANDHALTUNGSARBEITEN AUSFÜHREN.**

ANMERKUNG

Mit dem Begriff „müssen“ wird auf eine Anforderung hingewiesen, die für einen einwandfreien und sicheren Betrieb des Geräts befolgt werden muss.

Mit dem Begriff „sollte“ wird auf eine Empfehlung oder ein Anraten hingewiesen, das nicht zwingend erforderlich ist, das jedoch nützlich oder hilfreich sein kann.

WARNHINWEIS – STROMSCHLAGGEFAHR

Achten Sie immer darauf, dass die Stromversorgung der Anlage getrennt ist, um schwere Personenschäden oder schwere Schäden an der Anlage auszuschließen.

1. ALLGEMEINE INFORMATIONEN

OEM – Bitte sicherstellen, dass der Wärmepumpe das Kundenumschlagpaket beige packt ist.

INSTALLATEUR UND/ODER HÄNDLER – Bitte sicherstellen, dass dem Endkunden des Produkts das Kundenumschlagpaket übergeben wird.

ANFRAGEN ZUR KLIMAAANLAGE – Anfragen an Ihren Airxcel-Inc.-Verkaufsberater bzw. an Airxcel, Inc. zur Produktinstallation sollten sowohl Modell- als auch

BEFOLGEN SIE ALLE ANWEISUNGEN UND WARNHINWEISE SORGFÄLTIG, UM SCHÄDEN AN DEN GERÄTEN, PERSONENSCHÄDEN ODER BRÄNDE ZU VERMEIDEN.

WARNHINWEIS

Eine nicht ordnungsgemäße Installation kann eine Beschädigung der Anlage nach sich ziehen, eine Gefahr darstellen und führt zum Erlöschen des Garantieanspruchs.

Die Verwendung von nicht in Übereinstimmung mit diesen Anlagen geprüften Bauteilen führt zum Erlöschen des Garantieanspruchs, kann dazu führen, dass die Anlagen gegen Landesvorschriften verstoßen, kann eine Gefahr darstellen und zu einer Beschädigung der Anlagen führen.

SICHERHEITSHINWEIS

Diese Anlage ist nicht für die Verwendung durch Kleinkinder oder gebrechlichen Personen vorgesehen, sofern diese nicht ordnungsgemäß durch eine verantwortliche Person beaufsichtigt werden, die eine sichere Verwendung der Anlage gewährleisten kann.

Seriennummer der Dachanlage enthalten. Modell- und Seriennummer sind an diesen Dach-Wärmepumpen an zwei Orten angebracht: (1) Das Typenschild finden Sie, wenn Sie die äußere Kunststoffblende der oberen Einheit abnehmen, (2) Ein Aufkleber mit der Modell-/Seriennummer (silberfarben) befindet sich am Rückluftteil der Bodenwanne der Dachanlage. Darüber hinaus sind Hersteller und Modellnummer bei Installation der Wärmepumpe von hinten in der Mitte der Bodenwanne unter der Kunststoffblende sichtbar.

II. BEMESSUNG WÄRMEPUMPE

Inwieweit die Wärmepumpe im Kühlmodus in der Lage ist, ein Fahrzeug zu kühlen oder die vom Verbraucher gewünschte Temperatur zu halten, ist von der Temperaturerhöhung im Fahrzeug abhängig. Die physikalische Größe, die Fenstergröße, die Qualität und der Umfang der Isolierung, die Sonneneinstrahlung, die Zahl der das Fahrzeug nutzenden Personen und die Außentemperaturen können zu einer Steigerung der Temperaturerhöhung beitragen, sodass die Kapazität der Klimaanlage überschritten wird.

In der Regel ist die im Kühlmodus zugeführte Luft (Abluft) etwa 8 bis 12° C kälter, als die Luft, die durch das Lüftungsgitter unten an der Deckeneinheit eintritt (Rückluft).

Wenn zum Beispiel die in die Wärmepumpe eintretende Luft eine Temperatur von 27° C hat (Rückluft), hat die Zuluft (Abluft) in das Fahrzeug eine Temperatur von 15 bis 19° C). Solange dieser Temperaturunterschied (8 bis 12° C) beibehalten wird, funktioniert die Anlage ordnungsgemäß.

Wir weisen erneut darauf hin, dass die Temperaturerhöhungsvariablen im Fahrzeug sorgfältig zu berücksichtigen sind. Bei extremen Außentemperaturen kann die Temperaturerhöhung im Fahrzeug durch folgende Maßnahmen reduziert werden:

- Das Fahrzeug an einem schattigen Ort parken
- Fenster und Türen geschlossen halten
- Die Nutzung Wärme erzeugender Geräte vermeiden
- Fensterblenden verwenden (Jalousien und/oder Vorhänge)

Als dauerhaftere Lösung für Situationen mit starker Temperaturerhöhung sind eine zusätzliche Fahrzeugisolierung, Fenstermarkisen und/oder eine Fensterglastönung in Erwägung zu ziehen.

III. AUSWAHL EINES INSTALLATIONSORTS

Ihre Coleman-Mach-Wärmepumpe ist primär für die Nutzung in Wohnmobilen ausgelegt.

Ist das Dach des Fahrzeugs für Dachanlage und Deckeneinheit ohne zusätzliche Abstützkonstruktion tragfähig genug? Prüfen Sie den Montagebereich an der Innendecke, um Behinderungen durch vorhandene Strukturbauteile, wie z. B. Schlafkojen, Vorhänge, Schienen oder Raumteiler, zu verhindern. Die Blende der Deckeneinheit hat eine Tiefe von 51 mm. Überprüfen Sie unbedingt den Abstand zu Türen, die sich öffnen lassen müssen (Kühlschrank – Schränke – Kabinen).

Meistens werden am Dach montierte Wärmepumpen an der Position vorhandener Dachlüfter installiert. Sofern kein Dachlüfter (bestehende Montagebohrung) vorhanden ist, wird eine Montage an den folgenden Positionen empfohlen.

Wohnmobile – Eine einzelne Anlage oder der Vorlauf von zwei Anlagen sollte innerhalb eines Abstands von 2,7 m der Fahrerkabine montiert werden.

Wohnwagen oder Mini-Wohnmobile – Es sollte eine Position nahe der Tür leicht vor der Längsmittle des Fahrzeugs ausgewählt werden.

Kleinbusse – Die Position sollte in der Dachmitlle liegen (Quer- und Längsmittle).

Pick-up mit Campingaufbau – Die Position sollte zwischen 1,2 und 1,5 m vom Heck des Campingaufbaus entfernt liegen, um eine maximale Kühlwirkung zu erzielen.

IV. INSTALLATION DER DACHANLAGE

GEFAHR STROMSCHLAGGEFAHR

TRENNEN SIE VOR DER AUSFÜHRUNG VON SCHNEIDARBEITEN JEGLICHE STROMZUFUHR ZUM FAHRZEUG. DURCH DEN KONTAKT MIT STARKSTROM KANN ES ZU GERÄTESCHÄDEN ODER SCHWEREN ODER TÖDLICHEN PERSONENSCHÄDEN KOMMEN.

WICHTIG

UM SCHÄDEN AN VERKABELUNG UND BATTERIE ZU VERMEIDEN IST DAS BATTERIEKABEL VOM POSITIVEN BATTERIEPOL ZU TRENNEN, BEVOR SCHNEIDARBEITEN AM FAHRZEUG AUSGEFÜHRT WERDEN.

Sobald die Position für Ihre Wärmepumpe bestimmt wurde (siehe Abschnitt III), muss eine verstärkte und gerahmte Dachöffnung Sobald die Position für Ihre Wärmepumpe bestimmt wurde (siehe Abschnitt III), muss eine verstärkte und gerahmte Dachöffnung (bei der es sich um eine bestehende Lüfteröffnung handeln kann) geschaffen werden. Überprüfen Sie vor dem Schneiden in das Fahrzeugdach, dass durch den Schneidevorgang keine Bauteile oder Querträger getroffen werden. Weiterhin muss die Position von im Dach verlaufenden Rohrleitungen und Elektroleitungen berücksichtigt werden.

- A. Wenn an der gewünschten Montageposition bereits ein Dachlüfter vorhanden ist, sind die folgenden Schritte auszuführen.
1. Alle Schrauben entfernen, mit denen der Dachlüfter am Fahrzeug befestigt ist. Den Lüfter und etwaige zusätzliche Blendmaterialien entfernen. Alle Abdichtungen rund um die Dachöffnung sorgfältig entfernen, um eine saubere Dachaußenfläche zu erhalten.
 2. Möglicherweise müssen einige der Schraubenlöcher des alten Dachlüfters, die außerhalb der Bodenwannendichtung der Wärmepumpe liegen, abgedichtet werden.
 3. Dachöffnung prüfen. Wenn die Öffnung kleiner als 356 mm x 356 mm ist, muss sie vergrößert werden.
- B. Wenn keine Dachlüfteröffnung genutzt wird, muss eine neue Öffnung (siehe Abbildung 1) in das Fahrzeugdach geschnitten werden. Eine passende Öffnung muss auch in die Decke im Fahrzeuginnenen geschnitten werden. Wenn die Deckenöffnung verkleidet ist, kann es zu Rissen kommen. Sobald die Öffnung in Dach und Innendecke die richtige Größe hat, muss eine gerahmte Stützkonstruktion zwischen der Dachaußenseite und der Innendecke angebracht werden. Die verstärkte Rahmenkonstruktion muss folgenden Richtlinien entsprechen:
1. Fähigkeit, sowohl das Gewicht der Dach-Wärmepumpe als auch der innen liegenden Deckeneinheit zu tragen.
 2. Fähigkeit, die Dachaußenfläche und die Innendecke auseinanderzuhalten, sodass diese bei Verschraubung von Dach-Wärmepumpe und Deckeneinheit nicht einknicken.

Airxcel, Inc. empfiehlt einen Abstand zwischen Fahrzeugdach und Innendecke von mindestens 25 mm. Ein üblicher Tragrahmen ist in Abbildung 1 dargestellt.

Der Rahmen muss über eine Öffnung verfügen, durch die die Stromversorgungsleitungen geführt werden können. Die Versorgungsleitungen durch den Rahmen führen, wenn der Tragrahmen eingebaut wird.

- C. Die Wärmepumpe muss längs und quer so waagrecht wie möglich montiert werden, wenn das Fahrzeug waagrecht geparkt ist. In Abbildung 2 sind die maximal zulässigen Gradabweichungen dargestellt.

WICHTIG – Eine Länge von 600 mm der Versorgungsleitung durch den Tragrahmen ziehen (Arbeitslänge).

Nach Montage des Tragrahmens sind **alle Lücken** zwischen Rahmen und Dachaußenseite sowie Versorgungsleitung abzudichten.

Wenn das Fahrzeugdach so gewölbt ist, dass die Wärmepumpe nicht innerhalb der maximal zulässigen Gradabweichungen montiert werden kann, muss ein externes Nivellierungsblech angebracht werden, um das Gerät waagrecht montieren zu können. Ein typisches Nivellierungsblech für eine Längsnivellierung ist in Abbildung 3 dargestellt.

Sobald die Wärmepumpe ausgerichtet wurde, wird möglicherweise eine weitere Nivellierung über der innen liegenden Deckeneinheit benötigt. Die Wärmepumpe und die innen liegende Deckeneinheit müssen rechtwinklig aneinander ausgerichtet werden, bevor sie aneinander befestigt werden.

- D. Nach ordnungsgemäßer Erstellung der Montageöffnung sind Karton und Transportpolsterungen rund um die Wärmepumpe zu entfernen. **Die Anlage vorsichtig** auf die Oberseite des Fahrzeugs heben. Die Anlage nicht an der äußeren Kunststoffblende anheben. Die Wärmepumpe über der vorbereiteten Montageöffnung positionieren. Das spitze Ende (Nase) der Blende muss zur Vorderseite des Fahrzeugs zeigen. Alle losen elektrischen Anschlüsse von der Wärmepumpe durch die Montageöffnung hinunterziehen und hängen lassen.

V. BEFESTIGUNG DER WÄRMEPUMPE AM DACH

Siehe Abbildung 4

Ein Montagerahmen wird mit der Deckeneinheit mitgeliefert. Die Wärmepumpe unter Einhaltung der nachfolgenden Schritte am Dach befestigen.

- A. Die Montagedichtung der Wärmepumpe über der rechteckigen 356 mm bis 381 mm großen Öffnung im Dach positionieren.
- B. Den Montagerahmen der Deckeneinheit mithilfe der vier in der Deckeneinheit enthaltenen Schrauben, Scheiben und Federn montieren.

- C. Die Schrauben haben jeweils die richtige Spannung, wenn die Federwindungen sich gerade berühren (siehe Abbildung 4). Die obere Einheit ist nun ordnungsgemäß bei optimaler Dichtungskompression montiert.
- D. Wenn die Wärmepumpe mit einer optionalen Verdampfer-Kondensatpumpe ausgestattet ist, muss ein 13-mm-ID-Schlauch vorhanden sein, der von der 357 mm großen rechteckigen Öffnung durch die Fahrzeugdecke und die Seitenwand herunter verläuft, damit Wasser unter das Fahrzeug ablaufen kann. Der Schlauch darf bei Krümmungen nicht geknickt und dadurch verschlossen werden. Das obere Ende des Ablaufschlauchs mit dem in Abbildung 4 dargestellten Stecknippelanschluss verbinden.

VI. ELEKTRISCHE VERDRAHTUNG

VERLEGUNG DER 230/240-V-WECHSELSPANNUNGSLEITUNG

Siehe Abbildung 4

Die 230/240-V-Wechselspannungs-Versorgungsleitung unter Einhaltung der Hochspannungs-Verkabelungsspezifikationen und aller lokalen und nationalen Elektroinstallationsrichtlinien von der Stromquelle durch die Zugentlastung führen und an die Stromleiste anschließen. Schrauben mit einem Drehmoment von 8 kg/cm anziehen. Einige OEM-Anlagen sind mit einer vorverdrahteten Stromversorgungsleitung mit Stecker ausgestattet, der in das vom OEM gelieferte Gegenstück einrastet.

Hochspannungs-Verdrahtungsspezifikationen

Verdrahtungsvorschriften siehe neueste Standards

DER INSTALLATEUR MUSS EINEN ZWEIPOLIGEN TRENNSCHALTER FÜR AKTIV UND NEUTRAL BEREITSTELLEN.

MAXIMALE ÜBERSTROM-SCHUTZEINRICHTUNG FÜR DIESE ANLAGEN: 15 AMPERE

GEFAHR – STROMSCHLAGGEFAHR

SICHERSTELLEN, DASS DIE GESAMTE STROMZUFUHR ZUR ANLAGE GETRENNT WURDE, BEVOR ARBEITEN AN DER ANLAGE AUSGEFÜHRT WERDEN, UM MÖGLICHE STROMSCHLÄGE ODER SCHÄDEN AM GERÄT ZU VERHINDERN.

GEFAHR

BEI KABELN MIT NICHT METALLISCHEM MANTEL (ROMEX ETC.) MANTEL DER VERSORGUNGSLEITUNGEN AUF EINER LÄNGE VON 100 – 150 mm ABISOLIEREN. DIE LEITUNGSSENDEN DER EINZELNEN DRÄHTE FÜR DEN DRAHTANSCHLUSS ABISOLIEREN (ETWA 19 mm BLANKER DRAHT). VERSORGUNGSLEITUNGEN IN DIE ELEKTRISCHE ANSCHLUSSKLEMME EINFÜGEN. DER MANTEL MUSS ÜBER DIE KLEMMBUCHSE INNERHALB DES KASTENS HINAUSRAGEN. SICHERSTELLEN, DASS SICH DAS KABEL VOR DER BEFESTIGUNG MITTIG IN DER KLEMME BEFINDET. NICHT ZU FEST ANZIEHEN!!

DIES KÖNNTE ZU EINEM DURCHSTECHEN DER KUNSTSTOFF-LEITUNGSISOLIERUNG FÜHREN UND EINEN KURZSCHLUSS ODER DIE ERDUNG STROMFÜHRENDER LEITUNGEN VERURSACHEN (STROMSCHLAGGEFAHR). DIE KLEMME IST FÜR DIE ZUGENTLASTUNG DER LEITUNGEN VORGESEHEN. LEICHTER DRUCK IST DAFÜR ÜBLICHERWEISE AUSREICHEND.

EINIGE OEM-MODELLE SIND MIT EINER VORMONTIERTEN NETZSTECKER-BAUGRUPPE AUSGESTATTET, DIE NICHT DURCH EINE ZUSÄTZLICHE ZUGENTLASTUNG GEFÜHRT WERDEN MUSS.

VII.

System-Schaltschema Siehe Abbildung 8

VIII. INSTALLATION DER DECKENEINHEIT 9470A451

Siehe Abbildungen 5 und 6

ANMERKUNG

Die folgenden Anweisungen müssen Schritt für Schritt nacheinander ausgeführt werden, um eine schnelle und einfache Montage zu gewährleisten.

- A. Die Gitter und Filter aus der Blende der Deckeneinheit entnehmen.
- B. Gewebekanalbaugruppe lokalisieren und mit drei der mitgelieferten kurzen Schrauben an der Bodenwanne der oberen Einheit befestigen.
- C. Den Kanal der Deckeneinheit anheben und an der Gewebekanalbaugruppe ausrichten. Den Kanal am Stahlmontagerahmen mit vier der mitgelieferten kurzen Schrauben befestigen. Den Gewebekanal entfalten, damit er durch die Öffnung der Deckeneinheit fällt.
- D. Vorsichtig die Schutzfolie von dem stark haftenden Doppelklebeband ablösen. Den Gewebekanal gleichmäßig rund um die Öffnung festdrücken, sodass der Gewebekanal am Kunststoffkanal haftet. Überstehende Ränder des Gewebekanals vorsichtig abschneiden (ein Rasiermesser ist für diesen Zweck sehr gut geeignet).
- E. Den Raumtemperatursensor in die Buchse in der Blende der Deckeneinheit einstecken. Die Blende in der Nähe des Montagerahmens anheben und den Temperatursensor durch die mittlere Öffnung des Luftkanals drücken, sodass der Sensor über die Seite des Kanals überhängen kann. Das Verbindungskabel von der oberen Einheit in die Buchse an der
- F. Die Blende am Luftkanal ausrichten und sicherstellen, dass keine Kabel zwischen den Kunststoffteilen eingeklemmt sind. Die Blende am Stahlrahmen mit vier der mitgelieferten kurzen Schrauben befestigen.
- G. Den Raumtemperatursensor mit einer der mitgelieferten kurzen Schrauben im mittleren Loch des Stahlmontagerahmens befestigen.
- H. Die Filter und verbleibenden Gitter wieder einsetzen. Den Halter für die Handfernbedienung mithilfe der mitgelieferten langen Schrauben auf einer Höhe von 24 cm an einer Innenwand an einem Ort in „Sichtlinie“ des Deckeneinheitssensors befestigen, an dem die austretende Luft nicht auf die Fernbedienung blasen kann. Orte in der Nähe von Wärme erzeugenden Geräten oder mit direkter Sonneneinstrahlung vermeiden. Dies ist besonders bei Verwendung des „Folge-mir“ (Follow Me)-Modus des Systems wichtig, bei dem die Temperaturmessung durch die Handfernbedienung anstatt durch den Abluftstrom an dem in der Deckeneinheit montierten Sensor erfolgt.
- I. Die Batterien in das Handgerät einlegen.
- J. Die Stromzufuhr zum System wiederherstellen.

Deckenblende wie im vergrößerten Ausschnitt von Abbildung 6 dargestellt einstecken.

Damit ist die Installation des Systems abgeschlossen. Das Benutzerhandbuch enthält die Betriebs- und Wartungsanleitungen.

ÍNDICE

I.	Información general	21
II.	Tamaño de la bomba de calor	22
III.	Selección de una ubicación para la instalación	22
IV.	Instalación de la unidad de techo	22
V.	Aseguramiento de la bomba de calor al techo	24
VI.	Cableado eléctrico	24
VII.	Diagrama de cableado del sistema	25
VIII.	Instalación del ensamble del techo 9470A451	25

Estas instrucciones son una guía general para la instalación de las bombas de calor Coleman-Mach para techo, serie 47000, 230/240 V CA, 50 Hz.

AVISO IMPORTANTE

Estas instrucciones están destinadas al uso por parte de personas especialmente capacitadas, con experiencia en la instalación de equipos de este tipo y componentes del sistema relacionados.

Se requiere que el personal de instalación y servicio técnico cuente con una licencia. **LAS PERSONAS QUE NO ESTÉN CALIFICADAS NO DEBEN INSTALAR NI REALIZAR TAREAS DE SERVICIO TÉCNICO EN ESTE EQUIPO.**

NOTA

La palabra “debe” indica un requisito esencial para el rendimiento satisfactorio y seguro del producto.

La palabra “puede” indica una recomendación o consejo que no es esencial y no es un requisito, pero que puede ayudar o ser útil.

ADVERTENCIA: RIESGO DE DESCARGA ELÉCTRICA

Para evitar la posibilidad de lesiones personales graves o daños al equipo debido a una descarga eléctrica, asegúrese siempre de que la fuente de alimentación eléctrica del artefacto esté desconectada.

1. INFORMACIÓN GENERAL

Fabricante de equipo original (original equipment manufacturer, OEM): asegúrese de que la bomba de calor esté acompañada por el paquete de envoltorio del cliente.

INSTALADOR Y/O AGENTE DE VENTAS: asegúrese de que se presente al usuario del producto el paquete de envoltorio del cliente.

PREGUNTAS SOBRE LA UNIDAD DE AIRE ACONDICIONADO: las preguntas dirigidas a Airxcel, Inc. o a su representante de Airxcel, Inc. relacionadas con la

SIGA CUIDADOSAMENTE TODAS LAS INSTRUCCIONES Y ADVERTENCIAS QUE APARECEN EN ESTE FOLLETO PARA EVITAR DAÑOS AL EQUIPO, LESIONES PERSONALES O INCENDIOS.

ADVERTENCIA

La instalación incorrecta puede dañar el equipo, puede crear una situación de riesgo y anulará la garantía.

El uso de componentes que no hayan sido probados junto con estas unidades anulará la garantía, puede hacer que el equipo viole códigos estatales, puede crear una situación de riesgo y puede arruinar el equipo.

ADVERTENCIA DE SEGURIDAD

Este artefacto no ha sido diseñado para que lo utilicen niños ni personas débiles, a menos que una persona responsable de su seguridad las haya supervisado adecuadamente para asegurar que puedan utilizar el artefacto de manera segura.

instalación del producto deben contener tanto el número de modelo como el número de serie de la unidad para techo. Estas bombas de calor para techo tienen su identificación por número de modelo y número de serie en dos ubicaciones: (1) La placa adhesiva de datos puede observarse quitando la tapa de plástico exterior de la unidad superior; (2) el adhesivo con el número de modelo/serie (color plateado) está ubicado en la sección del aire de retorno de la base de la unidad para techo. Además, si se instala la bomba de calor, el número de fabricante y de modelo puede visualizarse desde la parte trasera en el centro de la base, debajo de la tapa de plástico.

II. TAMAÑO DE LA BOMBA DE CALOR

La capacidad de una bomba de calor en el modo Cooling (Refrigeración) de refrigerar un vehículo o mantener la temperatura deseada por el usuario depende de la ganancia de calor del vehículo. El tamaño físico, el área de las ventanas, la calidad y la cantidad de aislamiento, la exposición a la luz solar, la cantidad de personas que utilicen el vehículo y la temperatura exterior pueden aumentar la ganancia de calor, de manera que se exceda la capacidad del aire acondicionado.

Como regla general, el aire suministrado (aire de extracción) en el modo Cooling (Refrigeración) será de 15 °F a 20 °F (de 8 °C a 12 °C) más frío que el aire que ingresa (aire de retorno) por las rejillas de toma de aire en la parte inferior del ensamble del techo.

Por ejemplo, si el aire que ingresa en la bomba de calor es de 80 °F (27 °C) (aire de retorno), el suministro de aire (aire de extracción) que ingresa al vehículo será de entre 60 °F y 65 °F

(entre 15 °C y 19 °C). Mientras que esta diferencia de temperatura (entre 15 °F y 20 °F, entre 8 °C y 12 °C) se mantenga, la unidad funciona apropiadamente.

Nuevamente, tenga en consideración las variables de ganancia de calor del vehículo. Con temperaturas exteriores extremas, la ganancia de calor del vehículo puede verse reducida por lo siguiente:

- Estacionar el vehículo en un área a la sombra.
- Mantener las ventanas y las puertas cerradas.
- Evitar el uso de artefactos que produzcan calor.
- Utilizar persianas y/o cortinas en las ventanas.

Para obtener una solución permanente a las situaciones de alta ganancia de calor, pueden considerarse el aislamiento adicional del vehículo, los toldos para ventanas y/o la coloración de los vidrios de las ventanas.

III. SELECCIONAR UNA UBICACIÓN PARA LA INSTALACIÓN

Su bomba de calor Coleman-Mach está diseñada para ser utilizada principalmente en casas rodantes.

¿Es el techo de su vehículo capaz de soportar tanto la unidad para techo como el ensamble del techo sin estructuras adicionales de soporte? Inspeccione el área de montaje del techo interior para evitar la interferencia con elementos estructurales existentes, como literas, cortinas, circuitos o divisores de espacios. La profundidad de la tapa del ensamble del techo es de 51 mm. Asegúrese de verificar los espacios libres para las puertas que deben abrirse completamente (refrigerador, armarios, gabinetes).

Por lo general, las bombas de calor para montaje en techo se instalan en ubicaciones de ventilación de techo existentes. Si no hay ventilación de techo (un agujero existente para montaje), se recomiendan las siguientes ubicaciones para colocación.

Autocaravanas: una sola unidad o la parte delantera de dos unidades deben montarse dentro de los 2,7 m de distancia del compartimiento del conductor.

Remolques de viaje o caravanas pequeñas: debe seleccionarse una ubicación cercana a la puerta, un poco más adelante de la mitad de la longitud del vehículo.

Camionetas: debe ubicarse en el centro del techo (de lado a lado, desde la parte delantera a la parte trasera).

Camión con caravana pequeña: debe ubicarse a una distancia de entre 1,2 m y 1,5 m de la parte trasera de la caravana para lograr la máxima refrigeración.

IV. INSTALACIÓN DE LA UNIDAD DE TECHO

PELIGRO RIESGO DE DESCARGA ELÉCTRICA

DESCONECTE TODA ALIMENTACIÓN ELÉCTRICA AL VEHÍCULO ANTES DE REALIZAR CUALQUIER CORTE AL VEHÍCULO. EL CONTACTO CON VOLTAJE ALTO PUEDE RESULTAR EN DAÑOS AL EQUIPO, LESIONES PERSONALES O LA MUERTE.

IMPORTANTE

PARA PREVENIR DAÑOS EN EL CABLEADO Y LA BATERÍA, DESCONECTE EL CABLE DE LA BATERÍA DEL TERMINAL POSITIVO DE LA BATERÍA ANTES DE REALIZAR CUALQUIER CORTE AL VEHÍCULO.

Una vez que se ha determinado la ubicación para la bomba de calor (consulte la Sección III), se debe proporcionar una abertura reforzada y enmarcada en el techo.

Una vez que se ha determinado la ubicación para la bomba de calor (consulte la Sección III), se debe proporcionar una abertura reforzada y enmarcada en el techo (puede utilizar el agujero de ventilación existente). Antes de cortar el techo del vehículo, verifique que la acción de corte despeje todos los elementos estructurales y las vigas transversales. Adicionalmente, se debe tener en cuenta la ubicación de todas las tuberías internas del techo y los suministros eléctricos.

A. Si ya hay una ventilación de techo en la ubicación de montaje deseada para la bomba de calor, se deben seguir los siguientes pasos:

1. Quite todos los tornillos que aseguran la ventilación del techo al vehículo. Quite la ventilación y todo material adicional de guarnición. Con cuidado, quite todo el calafateado de alrededor de la abertura del techo para obtener una superficie de techo exterior limpia.
2. Es posible que sea necesario sellar algunos de los agujeros de los tornillos de montaje de la ventilación del techo anterior que pueden caer fuera de la junta de la base de la bomba de calor.
3. Examine la abertura del techo. Si la abertura es menor de 356 mm x 356 mm, se debe agrandar la abertura.

B. Si no se utiliza una abertura de ventilación del techo, se deberá cortar una nueva abertura (consultar la Figura 1) en el techo del vehículo. También se deberá cortar una abertura igual en el techo del interior del vehículo. Si la abertura del techo está alfombrada, es posible que se produzca un enganche. Después de verificar que la abertura del techo exterior e interior tengan la medida correcta, se debe colocar una estructura de soporte enmarcada entre el techo exterior y el interior. La estructura enmarcada reforzada debe cumplir con las siguientes pautas:

1. Ser capaz de soportar tanto el peso de la bomba de calor del techo exterior como el ensamble del techo interior.
2. Ser capaz de mantener o soportar la superficie exterior del techo separada de la superficie del techo interior, para que cuando la bomba de calor del techo exterior se emperne al ensamble del techo, no se produzca ningún colapso.

Airxcel, Inc. recomienda que el espacio entre el techo exterior del vehículo y el techo interior no sea menor de 25 mm. En la Figura 1 se muestra un marco de soporte típico.

El marco debe proporcionar una abertura a través de este para permitir el paso del cableado del suministro

de la alimentación eléctrica. Direcione el cableado del suministro a través del marco al mismo tiempo que instale el marco de soporte.

C. La bomba de calor debe montarse lo más nivelado posible de la parte delantera a la trasera y de lado a lado cuando el vehículo está estacionado. La Figura 2 muestra las desviaciones de grado máximas.

IMPORTANTE: Permita que haya 600 mm de cableado de suministro a través del marco de soporte (longitud de trabajo).

Una vez que el marco de soporte está instalado, selle **todos los espacios** que haya entre el marco y tanto la parte exterior del techo como el cableado de suministro.

Si el techo del vehículo está inclinado de tal manera que la bomba de calor no puede montarse dentro de las desviaciones de grado máximas permitidas, se deberá agregar un compensador de nivel exterior para que la unidad esté nivelada. En la Figura 3 se muestra un compensador de nivel típico de la parte delantera a la trasera.

Una vez que la bomba de calor ha sido nivelada, es posible que se requiera un compensador adicional sobre el ensamble del techo interior. La bomba de calor y el ensamble del techo interior deben estar en escuadra antes de asegurarlos juntos.

D. Cuando el agujero de montaje esté preparado en forma adecuada, quite el cartón y las almohadillas de transporte que se encuentran alrededor de la bomba de calor. **Con cuidado**, levante la unidad hasta la parte superior del vehículo. No use la tapa plástica externa para levantarla. Coloque la bomba de calor sobre el agujero de montaje preparado. El extremo ojival (nariz) de la tapa debe apuntar hacia la parte delantera del vehículo. Empuje hacia abajo todos los conectores eléctricos sueltos de la bomba de calor a través de la abertura de montaje y deje que cuelguen.

V. ASEGURAR LA BOMBA DE CALOR AL TECHO

Consulte la Figura 4

Junto con el ensamble del techo se proporciona un marco de montaje. Siga los pasos que se describen a continuación para asegurar la bomba de calor al techo.

- A. Ubique la junta del montaje de la bomba de calor sobre la abertura cuadrada de 356 mm a 381 mm del techo.
- B. Instale el marco de montaje del ensamble del techo utilizando los cuatro pernos, las arandelas y los resortes que se proporcionan con el ensamble del techo.
- C. Se ha alcanzado la tensión apropiada para cada perno cuando las vueltas de los resortes se juntan (consulte la Figura 4). La unidad superior ahora se ha instalado

apropiadamente con una compresión óptima de las juntas.

- D. Si la bomba de calor está equipada con una bomba opcional de condensado para el evaporador, debe colocarse una manguera de 13 mm de diámetro interno (internal diameter, ID) que vaya desde la abertura cuadrada de 357 mm, atraviese el techo del vehículo y descienda por la pared lateral para permitir el drenaje del agua debajo del vehículo. Evite que la manguera se obstruya cuando deba doblarse. Conecte el extremo superior de la manguera de drenaje a la boquilla dentada que se muestra en la Figura 4.

VI. CABLEADO ELÉCTRICO

TRAZAR LA RUTA DEL CABLEADO DE 230/240 V CA
Consulte la Figura 4

De acuerdo con las especificaciones para cableado de alto voltaje y todos los códigos de electricidad nacionales y locales, trace la ruta de cableado de alimentación de 230/240 V CA a partir de la fuente de alimentación eléctrica y a través de la protección para cables contra tirones, y conecte a un multitoma. Ajuste los tornillos a un par de torsión de 8 kg-cm. Algunas unidades del OEM están equipadas con un cable de alimentación eléctrica cableado con anterioridad y con un enchufe con cerradura de resorte que encaja en la pieza que casa proporcionada por el OEM.

Especificaciones de cableado de alto voltaje

Consulte las normas más recientes sobre reglas de cableado

EL INSTALADOR DEBE PROPORCIONAR UN DESCONECTADOR DE DOS POLOS PARA EL ACTIVO Y EL NEUTRAL.

DISPOSITIVO DE PROTECCIÓN DE SOBREVOLTAJE MÁXIMO PARA ESTAS UNIDADES: 15 AMPERIOS

PELIGRO: RIESGO DE DESCARGA ELÉCTRICA.

ASEGÚRESE DE QUE TODA LA ALIMENTACIÓN ELÉCTRICA PARA LA UNIDAD ESTÉ DESCONECTADA ANTES DE REALIZAR CUALQUIER TRABAJO EN LA UNIDAD PARA EVITAR LA POSIBILIDAD DE QUE OCURRA UNA LESIÓN POR DESCARGA ELÉCTRICA O QUE SE DAÑE EL EQUIPO.

PELIGRO

CON RECUBRIMIENTO DE CABLES NO METÁLICOS (ROMEX, ETC.), DESNUDAR EL RECUBRIMIENTO PARA EXPONER DE 100 A 150 mm DE CONDUCTORES DE ALIMENTACIÓN. DESNUDAR LAS EXTREMIDADES DE LOS CONDUCTORES DE CABLES INDIVIDUALES PARA LA CONEXIÓN DE CABLES (ALREDEDOR DE 19 mm DE CABLE DESNUDO). INSERTAR LOS CABLES DE ALIMENTACIÓN EN EL SUJETADOR DEL CONECTOR ELÉCTRICO. EL RECUBRIMIENTO DEBE SOBRESALIR DEL SUJETADOR Y REVESTIR EL INTERIOR DE LA CAJA. ASEGÚRESE DE QUE EL CABLE ESTÉ CENTRADO EN EL SUJETADOR ANTES DE AJUSTARLO. ¡NO LO AJUSTE DEMASIADO!

ESTO PUEDE OCASIONAR QUE SE ESTRECHE EL AISLAMIENTO PLÁSTICO DE CABLE Y PROVOCAR EL ACORTAMIENTO O LA PRESENCIA DE CABLES “CON CORRIENTE” A TIERRA (RIESGO DE DESCARGA ELÉCTRICA). EL OBJETIVO DEL SUJETADOR ES PROTEGER LOS CABLES DE LOS TIRONES. POR LO GENERAL, UNA LIGERA PRESIÓN ES SUFICIENTE PARA ALCANZAR ESTO.

ALGUNOS MODELOS OEM ESTARÁN EQUIPADOS CON UN ENSAMBLE DE ENCHUFE DE ALIMENTACIÓN ELÉCTRICA INSTALADO PREVIAMENTE QUE NO REQUIERE PASAR POR UNA PROTECCIÓN ADICIONAL CONTRA TIRONES.

VII.

Diagrama de cableado del sistema Consulte la página 8

VIII. INSTALAR EL ENSAMBLE DEL TECHO 9470A451

Consulte las Figuras 5 y 6.

NOTA

Las siguientes instrucciones paso a paso deben seguirse en secuencia, a fin de asegurar una instalación rápida y sencilla.

- A. Quite las rejillas y los filtros de la tapa del ensamble del techo.
- B. Ubique el ensamble de la cinta americana y fíjelo a la base de la unidad superior con tres de los tornillos cortos proporcionados.
- C. Levante la tolva del ensamble del techo para alinear con el ensamble de la cinta americana. Fije la tolva al marco de montaje de acero con 4 de los tornillos cortos proporcionados. Desenrolle la cinta americana de modo que caiga desde la abertura del ensamble del techo.
- D. Suavemente, quite el papel soporte de la cinta de doble cara de muy alta adherencia (very high bond, VHB). Presione la cinta americana de manera uniforme alrededor del perímetro de la abertura para adherirla a la tolva de plástico. Recorte con cuidado el exceso de la cinta americana (el cúter es muy efectivo para realizar esto).
- E. Enchufe el sensor de temperatura ambiente al receptáculo en la tapa del ensamble del techo. Levante la tapa cerca del marco de montaje y empuje el sensor de temperatura hacia arriba hasta la abertura central de la tolva de aire y permita que el sensor cuelgue del lateral de la tolva. Enchufe el cable de conexión desde la parte superior de la unidad hasta el receptáculo en la tapa del techo, como se muestra en la sección ampliada de la Figura 6.
- F. Alinee la tapa con la tolva de aire asegurándose de que no queden cables atrapados entre las partes plásticas. Fije la tapa al marco de acero con 4 de los tornillos cortos proporcionados.
- G. Fije el sensor de la temperatura ambiente a un agujero del medio del marco de montaje de acero con uno de los tornillos cortos proporcionados.
- H. Reemplace los filtros y las rejillas de contención. Utilizando los tornillos largos proporcionados, monte el castillete del control remoto portátil a una pared interior, a una altura de 24 cm, en una ubicación que evite que la salida de aire choque contra el control remoto y dentro de la “línea visual” del sensor de ensamble del techo. Evite las ubicaciones que estén cerca de artefactos que generan calor o que estén en exposición directa con la luz solar. Esto es particularmente importante si se utiliza el modo “Follow Me” (Sígueme) del sistema en el cual el sensor de temperatura estará indicado por el control remoto portátil en lugar de estar el sensor montado en la corriente de aire de regreso del ensamble del techo.
- I. Instale las baterías en la unidad portátil.
- J. Restablezca la alimentación eléctrica al sistema.

Esto finaliza la instalación del sistema. El manual del propietario contiene las instrucciones operativas y de mantenimiento.



Airxcel, Inc.
RV Products Division
P.O. Box 4020
Wichita, KS 67204

Coleman is a registered trademark of The Coleman Company, Inc. used under license. Mach is a registered trademark.

1976B661 (11-15) PP