

# 1500VDC光伏保险丝2转1分支连接器

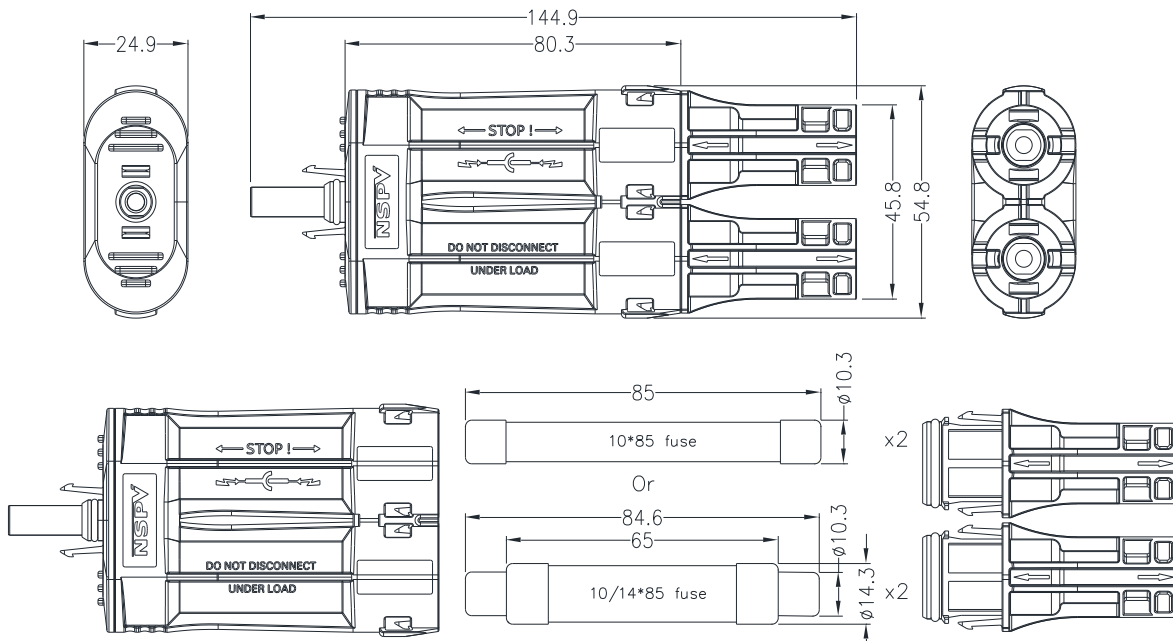
## 1500VDC 2in1 solar inline fuse connector

### 产品规格 Product Specifications

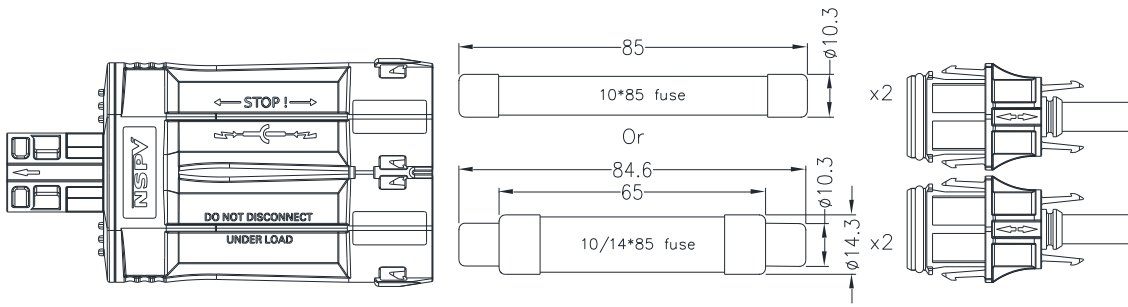
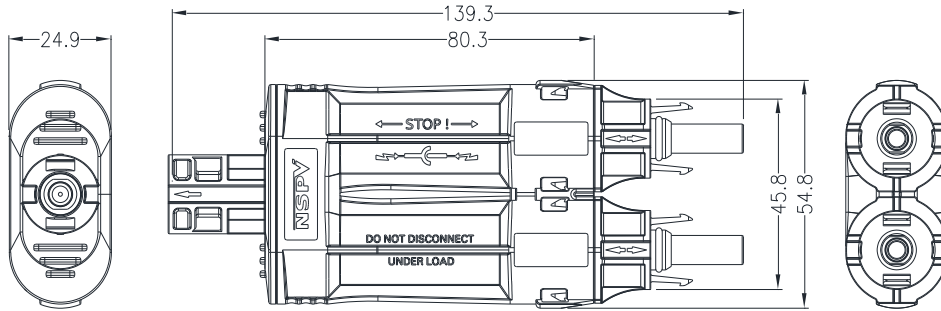
绝缘材料 Insulation material	PPE/PA	保险丝规格 Fuse Specification	1A,2A,3A,3.5A,4A,5A,6A,8A, 10A,12A,15A,16A,20A,25A,30A, 32A,35A,40A,45A,50A
额定电流 Rated current (Without fuse)	Max. Input:30A Max. Output:60A	安全等级 Safety degree	II
额定电压 Rated voltage	1500VDC	阻燃等级 Flame class	UL94-V0
最大的测试电压 Maximum voltage	8kV	环境温度范围 Ambient temperature range	-40°C...+85°C(IEC)
连接器接触电阻 contact resistance	≤ 0.25mΩ	温度上限 Upper limiting temperature	110°C(IEC)
金属导体材料 Contact material	铜,镀锡 Copper,Tin plated	适配电线规格 Suitable cable cross sections	4-10sqmm cable
保护等级 Degree of protection	IP68	适配保险丝尺寸 (mm) Suitable for fuse size(mm)	10*85/10/14*85
Rated Impulse voltage 额定脉冲电压	16kV	符合标准 Regulatory approval	TUV/CE (EN60269/EN62208)

### 图示: Drawing:

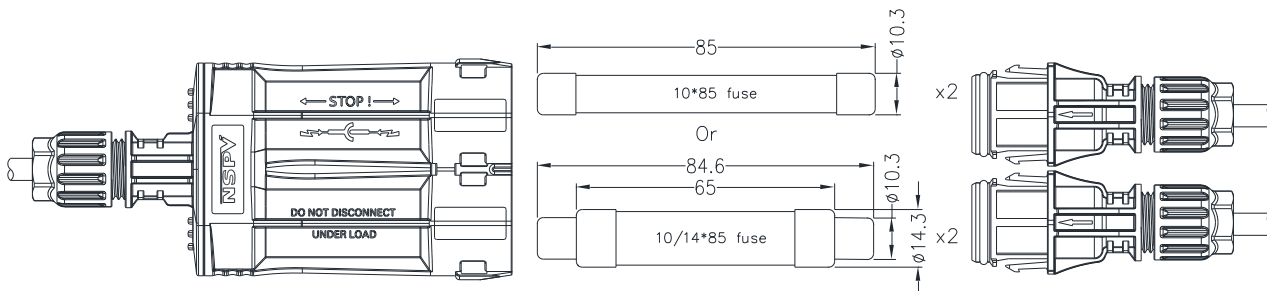
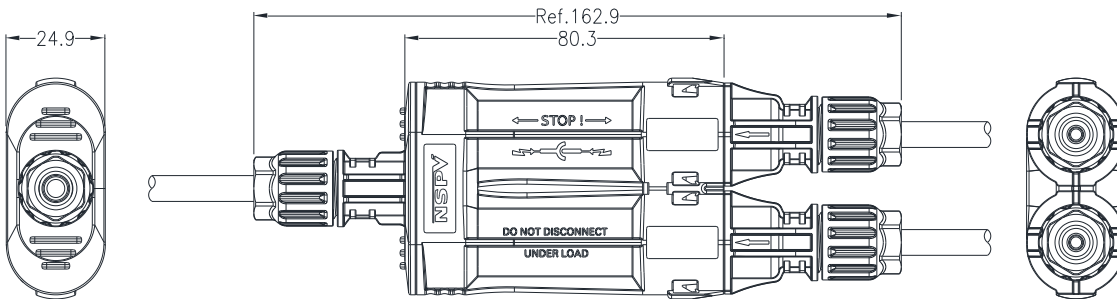
4FBMF\*\*-15



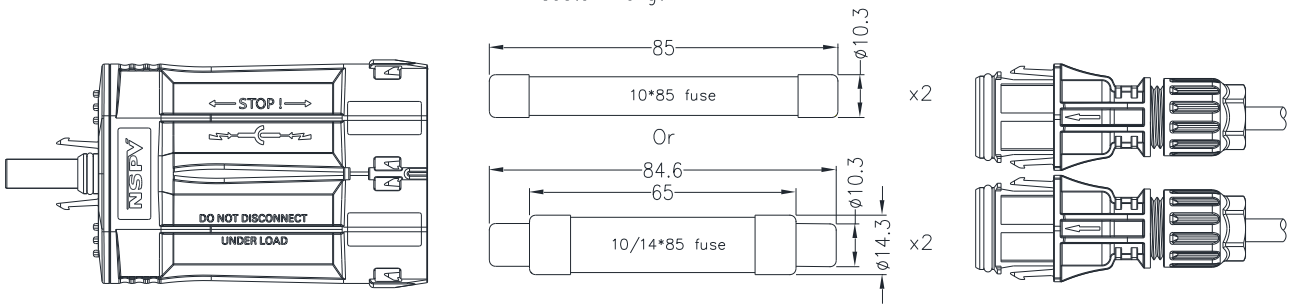
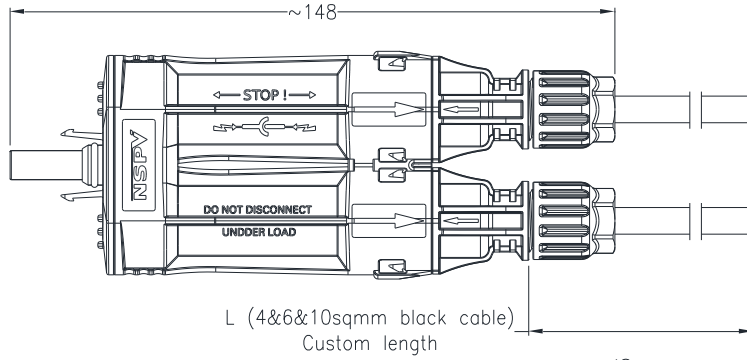
4FBFM\*\*-15



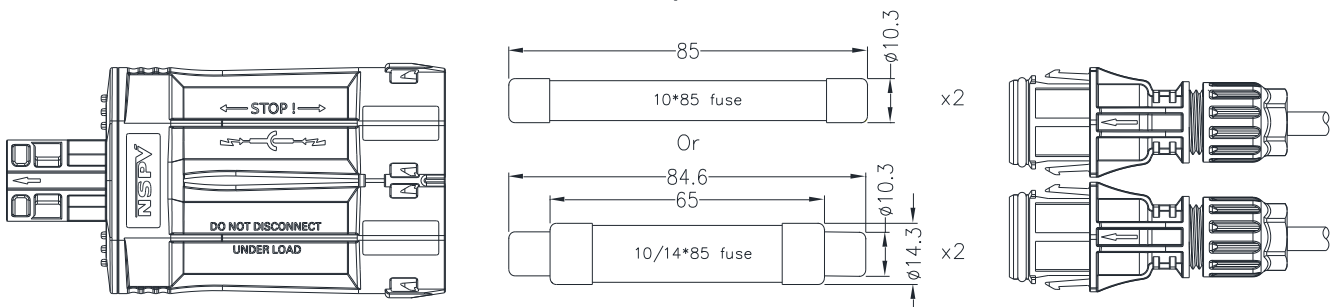
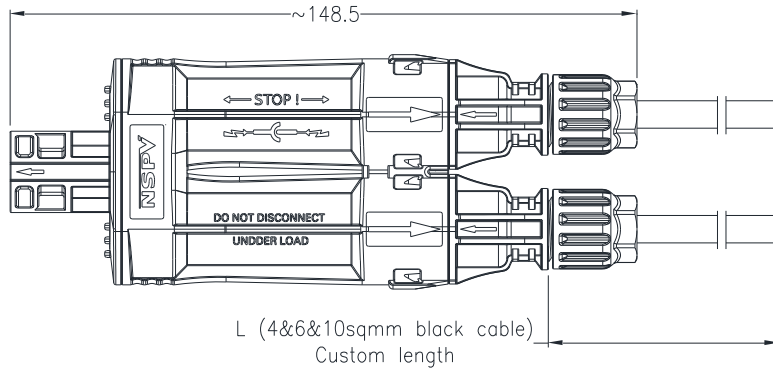
4FBCC\*\*-15



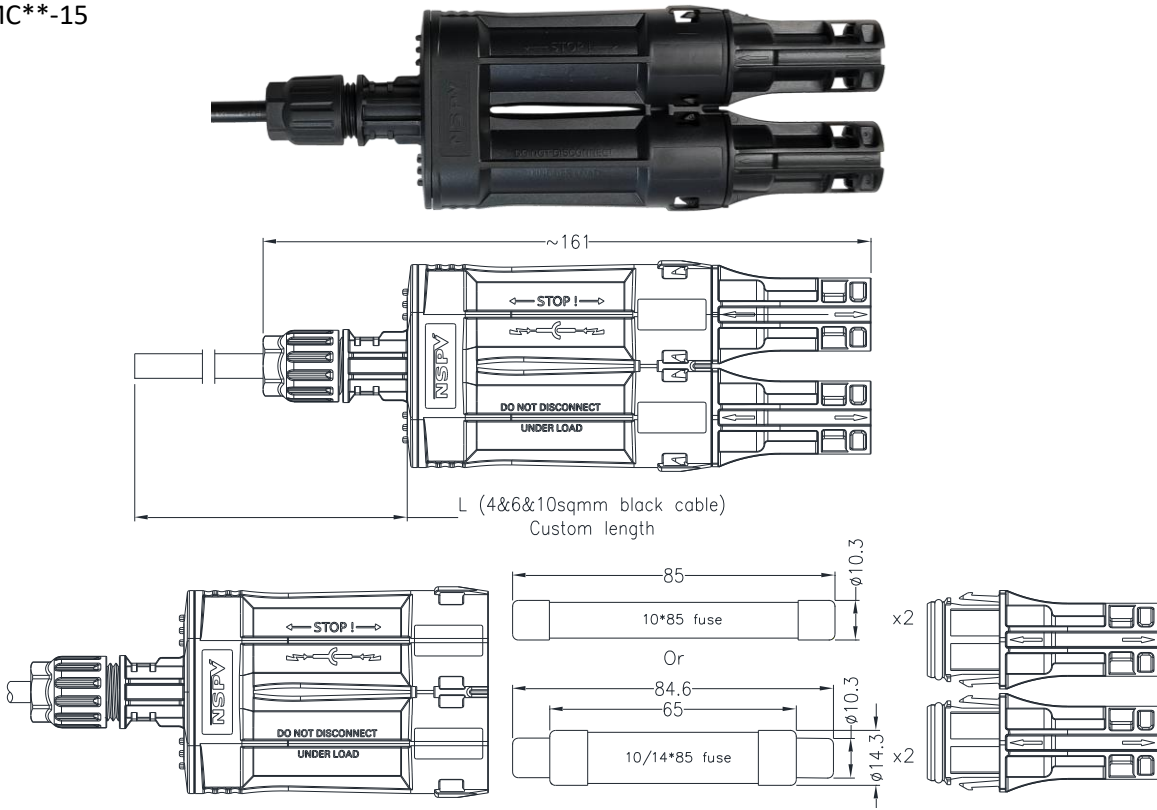
4FBCF\*\*-15



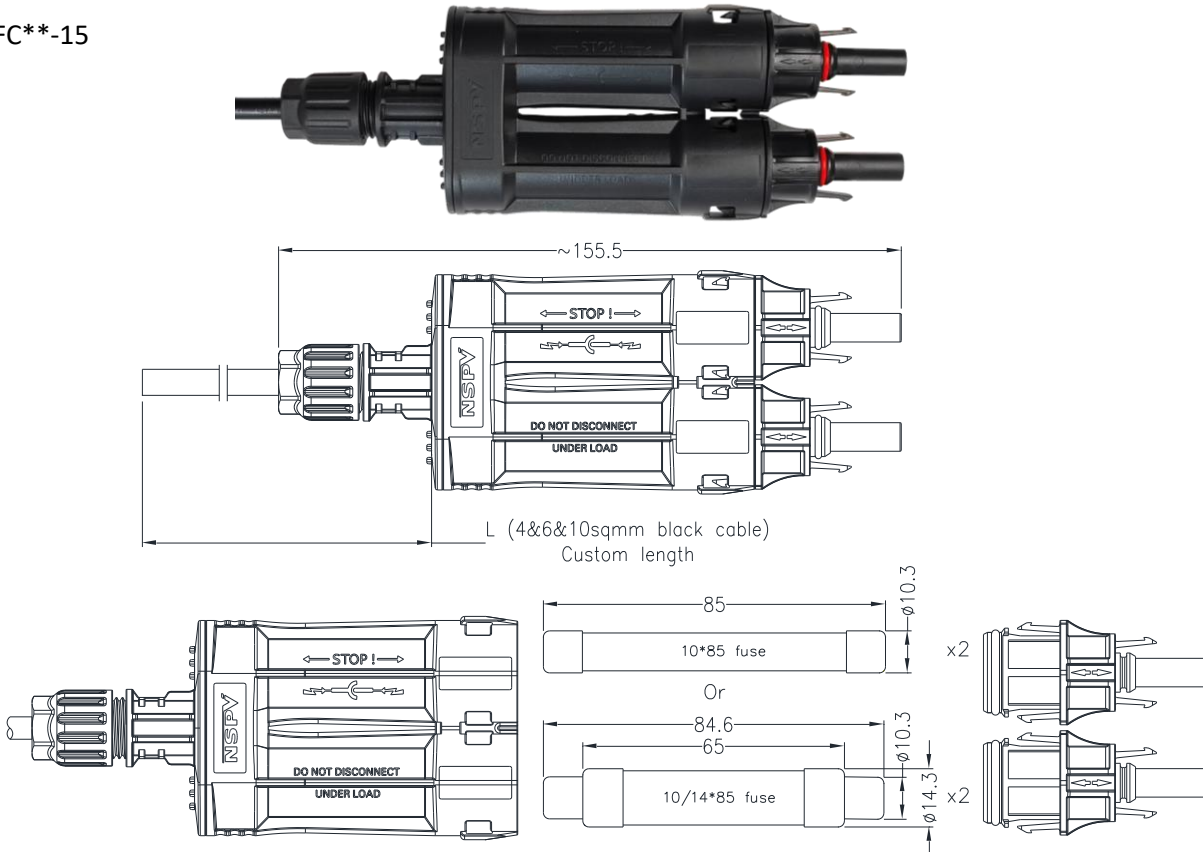
4FBCM\*\*-15



4FBMC\*\*-15



4FBFC\*\*-15



**保险丝额定电流:**
**Fuse Rated current:**

10*85mm	1A	2A	3A	3.5A	4A	10A	15A	20A
10/14*85mm	25A	30A	32A	40A	45A	50A		

**适配电线规格:**
**Suitable cable cross sections:**

B	B'	电线外径 (mm) Cable O.D. (mm)	电线规格 (m <sup>2</sup> ) Cable Size (m <sup>2</sup> )	端子尺寸(mm <sup>2</sup> ) Terminal size(mm <sup>2</sup> )	A(∅mm)	A'(∅mm)
6.6	6.6	5.0-6.6	2.5, 4.0, 6.0	2.5	2.1	2.1
7.2	7.2	6.7-7.2	6.0, 10.0	4	2.8	2.8
8.2	8.2	7.3-8.2	10	6	3.4	3.4
9.5	9.5	8.3-9.5	10.0 ~16.0	10	4.5	4.5



\*建议最高使用环境温度为75摄氏度，且在75-85摄氏度下使用不能超过8小时。

\*Recommended that the Max ambient temperature is 75°C, and not exceed 8 hours in 75-85°C.

**更换保险丝工具:**
**Replace the fuse with wrench tool:**

**接线原理图**
**Elementary diagram :**
