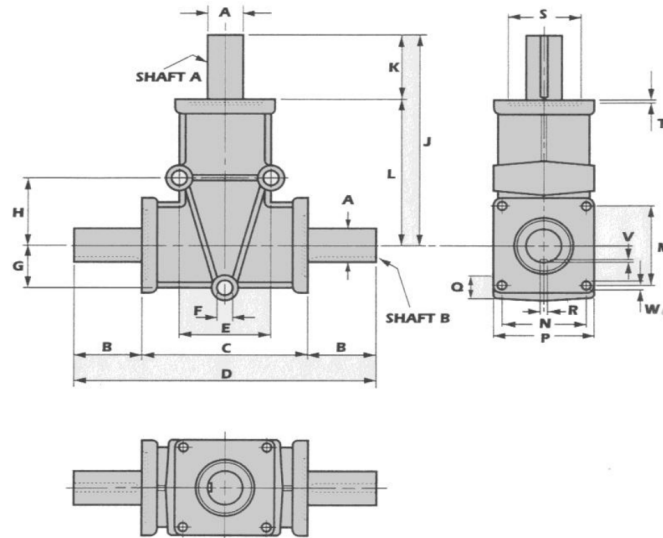


RENVOIS D'ANGLE INOX



Renvoi d'angle selon les puissances en Inox 316L
 Engrenages coniques taillage Gleason DSG10
 Arbres Inox 316 L disponible
 Joints en caoutchouc NBR
 Réduction 1: 12: 1 (entrée arbre A)



shaft dia	output shaft length	over flange faces	output shaft overall length	case fixing centre s	cross case fixing bore	apex fixing offset from output shaft	body fixing offset from output shaft		input shaft length	catalogue reference
A Æ (f7)	B	C	D	E	F Æ	G	H	J	K	
8	15	68	98	32	6	16	16	60	15	5002 + ratio
15	35	104	174	48	8.3	24	24	125	35	5008 + ratio
20	50	150	250	76	8.3	38	38	190	50	5031 + ratio
25	70	160	300	90	12.3	45	70	220	70	5033 + ratio

	flange fixing centres	flange fixing centres	body height	fixing tube dia.	shaft keyway width	flange recess dia.	flange recess depth	shaft keyway depth	flange fixing hole dia.	catalogue reference
L	M	N	P	Q	R	S Æ (H6)	T	V	W 4 x Æ	
45	30	22	33	9	-	22	2.5	-	5.2	5002 + ratio
90	52	36	52	13	5	35	5	3	6.2	5008 + ratio
140	76	54	76	18	6	55	3.5	3.5	8.3	5031 + ratio
150	76	76	100	26	8	65	3.5	4	10.3	5033 + ratio