



Our *passion* is enclosures.



# polyTOP

Modular enclosures made of glass fibre reinforced polyester

# Technical data

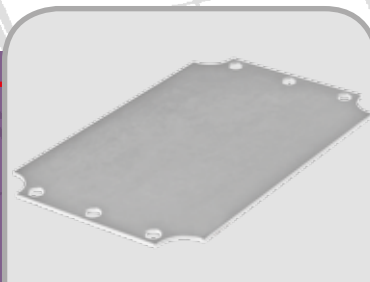
## polyTOP



Compatible with aluNORM



Comprehensive range of accessories



Mounting plate



Large selection of...



...locking screws



Hinge



Mounting rail and terminals

**Enclosure:** Polyester glass fibre reinforced, halogen-free  
Mould slope 1°, clear interior dimensions reduce circumferentially by 1° towards the enclosure bottom.

**Components:** Fixing web and base with M4/M6 threaded bushing in the lower section.

**Fastening:** Space-saving single-channel technology

**Flammability:** UL 94 V-0, self-extinguishing

**Ingress protection:** IP66 / EN 60529

**Gasket:** Chloroprene (CR) gasket (-30°C to +90°C)

**Lid screws:** Polyamide (PA), captive

**Surface:** RAL 7032, silky grey, surface resistance > 10<sup>9</sup> Ω

### Optionally available:

**External mounting:** Stainless steel 1.4301 (V2A)

**Mounting plates:** Sheet steel, galvanised

**Gasket:** Silicone gasket (-50°C to +140°C)

**Ingress protection:** IP67 / EN 60529

**Surface:** RAL 9005, deep black, surface resistance < 10<sup>9</sup> Ω

**Further options, see delivery overview.**

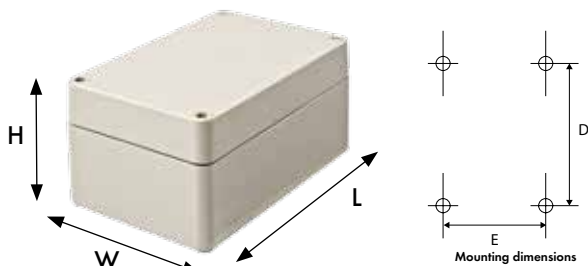
Delivery overview polyTOP																	
Type	Mat. no.	L	W	H	D	E	g	S	IN	V	W	X	H	M	A	T	67
PT 080	132.080.000	82	82	60	67	67	240	○	●	□	○	○	○	●	●	●	●
PT 082	132.082.000	122	82	60	107	67	340	○	●	□	○	○	○	●	●	●	●
PT 084	132.084.000	162	82	60	147	67	420	○	●	□	○	○	○	●	●	●	●
PT 100	132.100.000	102	102	81	87	87	520	●	●	□	○	○	○	●	●	●	●
PT 102	132.102.000	152	102	81	137	87	650	●	●	□	○	○	○	●	●	●	●
PT 104	132.104.000	202	102	81	187	87	770	●	●	□	○	○	○	●	●	●	●
PT 120	132.120.000	124	124	100	102	102	800	●	○	□	●	●	●	●	●	●	●
PT 122	132.122.000	184	124	100	162	102	860	●	○	□	●	●	●	●	●	●	●
PT 124	132.124.000	244	124	100	222	102	920	●	○	□	●	●	●	●	●	●	●
PT 160	132.160.000	164	164	100	142	142	820	●	○	□	●	●	●	●	●	●	●
PT 162	132.162.000	244	164	100	222	142	1.100	●	○	□	●	●	●	●	●	●	●
PT 164	132.164.000	324	164	100	302	142	1.340	●	○	□	●	●	●	●	●	●	●
PT 400	132.400.000	404	404	160	382	382	6.500	●	○	□	●	●	●	●	●	●	●

□ Standard ● Available ○ Not available

Approvals:

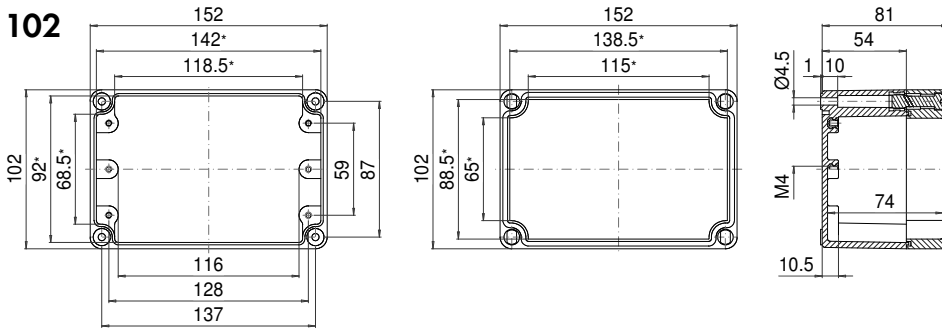


Extended approvals:





### PT 102

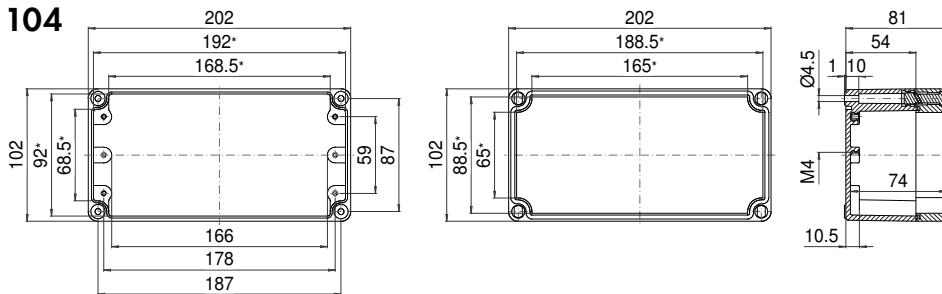


\* Please note: Mould slope for casting ejection, dimensions in the amount of the bottom!

Maximum number of cable glands per enclosure side

A		A/B/C/D	
C	D		
	B	PG 7	8 2
M 16		PG 9	6 2
		PG 11	4 2
M 20		PG 13,5	4 1
		PG 16	3 1
M 25		PG 21	2
M 32		PG 29	1
M 40		PG 36	
M 50		PG 42	
M 63		PG 48	

### PT 104

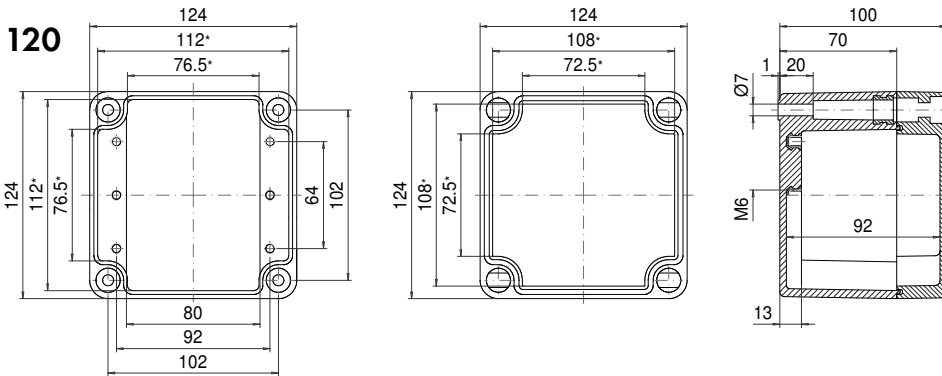


\* Please note: Mould slope for casting ejection, dimensions in the amount of the bottom!

Maximum number of cable glands per enclosure side

A		A/B/C/D	
C	D		
	B	PG 7	10 2
M 16		PG 9	8 2
		PG 11	6 2
M 20		PG 13,5	5 1
		PG 16	4 1
M 25		PG 21	3
M 32		PG 29	2
M 40		PG 36	
M 50		PG 42	
M 63		PG 48	

### PT 120

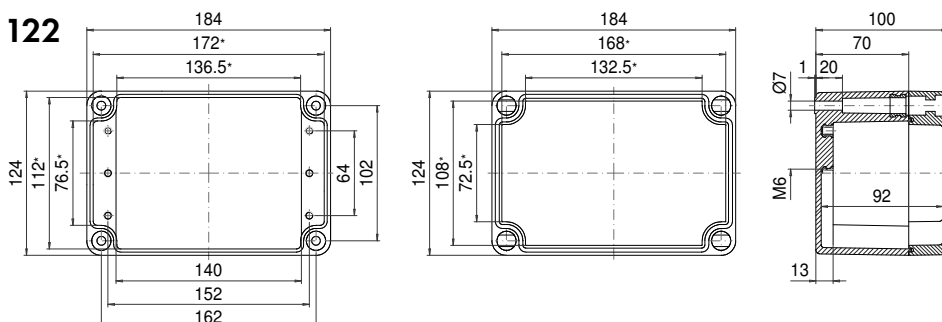


\* Please note: Mould slope for casting ejection, dimensions in the amount of the bottom!

Maximum number of cable glands per enclosure side

A		A/B/C/D	
C	D		
	B	PG 7	12 9
M 16		PG 9	8 6
		PG 11	8 5
M 20		PG 13,5	5 4
		PG 16	4 4
M 25		PG 21	3
M 32		PG 29	1
M 40		PG 36	
M 50		PG 42	
M 63		PG 48	

### PT 122



\* Please note: Mould slope for casting ejection, dimensions in the amount of the bottom!

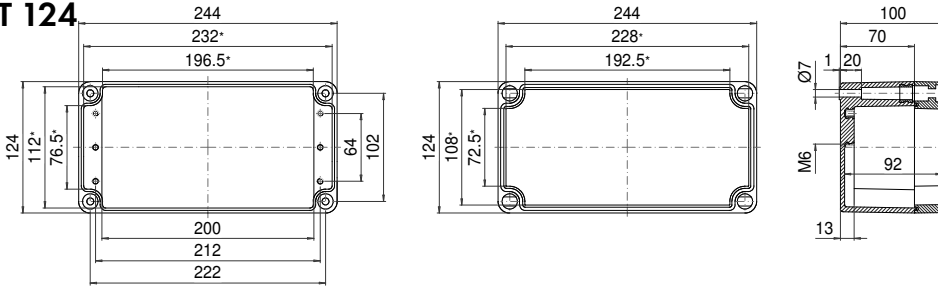
Maximum number of cable glands per enclosure side

A		A/B/C/D	
C	D		
	B	PG 7	12 9
M 16		PG 9	11 6
		PG 11	11 5
M 20		PG 13,5	8 4
		PG 16	5 4
M 25		PG 21	3
M 32		PG 29	3
M 40		PG 36	
M 50		PG 42	
M 63		PG 48	

# ROLEC Attachment and mounting dimensions

## polyTOP

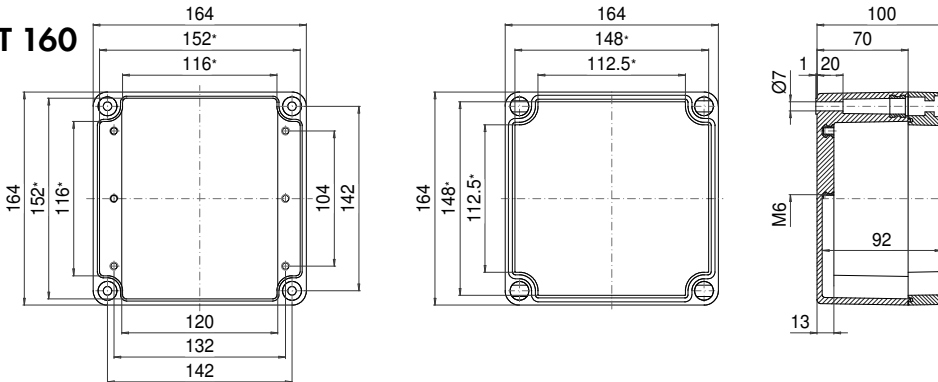
### PT 124



Maximum number of cable glands per enclosure side			
A	B	C/D	A/B/C/D
PG 7	20	9	
M 16	PG 9	17	6
	PG 11	14	5
M 20	PG 13,5	11	4
	PG 16	7	4
M 25	PG 21	4	
M 32	PG 29	3	
M 40	PG 36		
M 50	PG 42		
M 63	PG 48		

\* Please note: Mould slope for casting ejection, dimensions in the amount of the bottom!

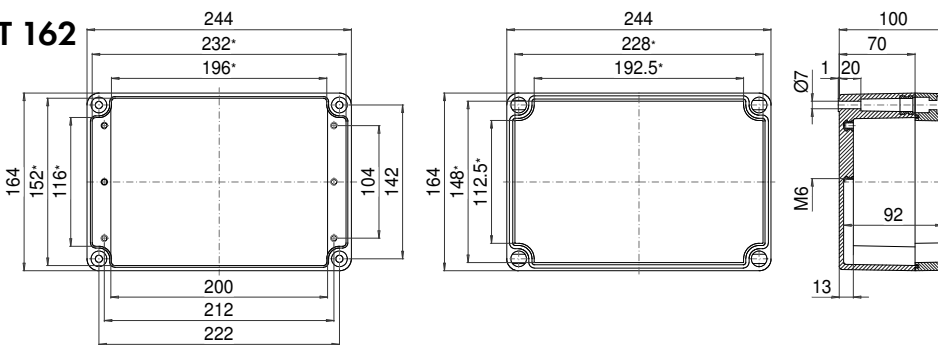
### PT 160



Maximum number of cable glands per enclosure side			
A	B	C/D	A/B/C/D
PG 7	15	4	
M 16	PG 9	14	3
	PG 11	9	2
M 20	PG 13,5	8	2
	PG 16	6	2
M 25	PG 21	2	
M 32	PG 29	2	
M 40	PG 36	1	
M 50	PG 42		
M 63	PG 48		

\* Please note: Mould slope for casting ejection, dimensions in the amount of the bottom!

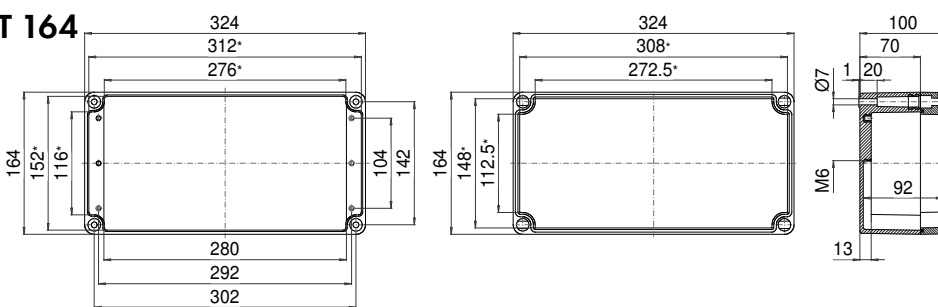
### PT 162



Maximum number of cable glands per enclosure side			
A	B	C/D	A/B/C/D
PG 7	24	4	
M 16	PG 9	21	3
	PG 11	15	2
M 20	PG 13,5	12	2
	PG 16	10	2
M 25	PG 21	4	
M 32	PG 29	3	
M 40	PG 36	3	
M 50	PG 42	2	
M 63	PG 48		

\* Please note: Mould slope for casting ejection, dimensions in the amount of the bottom!

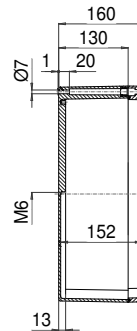
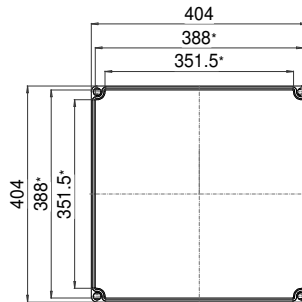
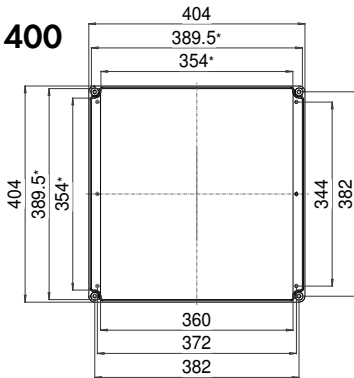
### PT 164



Maximum number of cable glands per enclosure side			
A	B	C/D	A/B/C/D
PG 7	36	4	
M 16	PG 9	24	3
	PG 11	21	2
M 20	PG 13,5	17	2
	PG 16	13	2
M 25	PG 21	6	
M 32	PG 29	4	
M 40	PG 36	3	
M 50	PG 42	3	
M 63	PG 48		

\* Please note: Mould slope for casting ejection, dimensions in the amount of the bottom!

### PT 400



\* Please note: Mould slope for casting ejection, dimensions in the amount of the bottom!

Maximum number of cable glands per enclosure side			
A		A/B/C/D	
C	D	PG 7	52 52
M 16	B	PG 9	33 33
		PG 11	30 30
M 20		PG 13,5	27 27
		PG 16	26 26
M 25		PG 21	20 20
M 32		PG 29	10 10
M 40		PG 36	9 9
M 50		PG 42	5 5
M 63		PG 48	3 3

