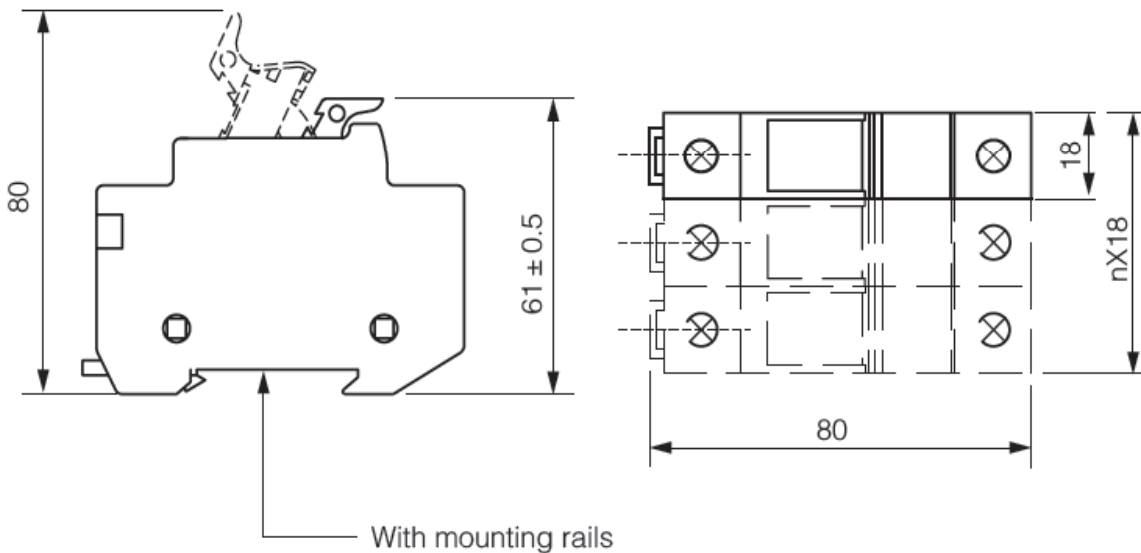


2P Fuse Houlder

Product Specifications	
Part No.	NSFU30-001
Material	PVC
Rated Voltage	1000V
Rated current	30A
Poles	2P
With 10A 1000V DC fuse	2pcs
Matched with fuse body measurement	PV-30/10x38
Wire range	1-10mm ²
Torque	2 until 2.5Nm
Standards	IEC60269 / EN60269

Drawing



Approval: Bill 2012/12/04

Check: Ben 2012/12/04

Design: Linda 2012/12/04