

LOADCELL TYPE BCL-300GM~4.5K-A

SPECIFICATIONS

●PERFORMANCE

- Rated capacity(R.C.) : 2.942 N { 300 gf }, 5.884 N { 600 gf }, 11.77 N { 1.2 kgf }, 14.71 N { 1.5 kgf }, 29.42 N { 3 kgf }, 44.13 N { 4.5 kgf }
- Safe overload : 150 %R.C.
- Ultimate overload : 200 %R.C.
- Rated output(R.O.) : 1.6 mV/V±0.2 mV/V
- Non-linearity : 0.02 %R.O.
- Hysteresis : 0.02 %R.O.
- Repeatability : 0.02 %R.O.
- Creep : 0.02 %R.O./20min
- Creep recovery : 0.02 %R.O./20min

●ELECTRICAL

- Recommended excitation : 10 V or less
- Maximum excitation : 15 V
- Zero balance : ±0.04 mV/V
- Input terminal resistance : 420 Ω±30 Ω
- Output terminal resistance : 350 Ω±5 Ω
- Insulation resistance (bridge-body) : 2000 MΩ or more(DC50 V)

●TEMPERATURE

- Compensated temperature range : -10 °C to 50 °C
- Safe temperature range : -10 °C to 50 °C
- Temperature effect on zero balance : 0.04 %R.O./10°C
- Temperature effect on output : 0.02 %LOAD/10°C

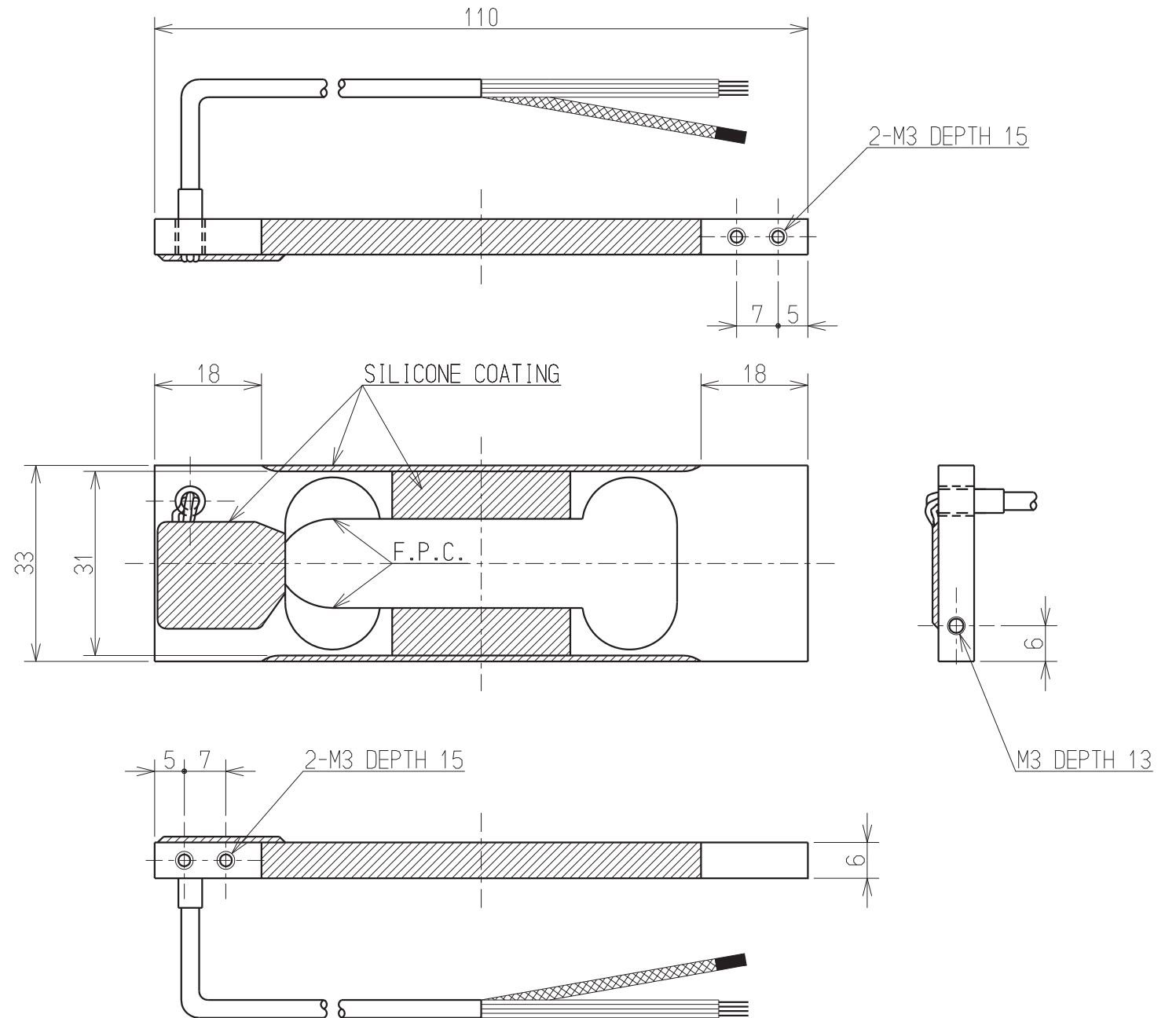
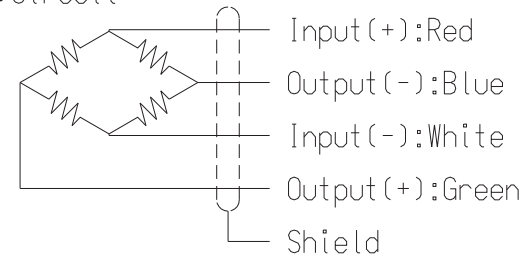
●INFLUENCE OF ECCENTRIC LOAD

- Max size of the loading plate : 200 mm×200 mm(300GM TO 600GM)
300 mm×300 mm(1.2K TO 4.5K)
- The center of loading plate : Be sure to adjust of loading plate to the center of load cell.
- Measuring accuracy : Accuracy within 0.02 %R.O.with 1/2 of rated load applied at 50 mm from center.(300GM TO 600GM)
75 mm from center.(1.2K TO 4.5K)

●THE OTHERS

- Cable : φ3.2 4core shield 40 cm
- IP level : IP40
- Material of element : ALUMINIUM ALLOY
- Weight : approx 40 g

●Circuit



公布
K
S
T
F

	単位 UNIT	材質 MATERIAL	作成日 DATE	2006.8.21
	尺度 SCALE	表面粗さ SURF.ROUGH.	品名 DESCRIPTION	
	FREE	熱処理 HEAT TREAT.	OUTLINE	
一般公差 TOL	寸法 L	表面処理 FINISH	品番 PART NO.(MODEL NO.)	葉番 SHEET
	<L≤4		BCL-300GM~4.5K-A	/
	4<L≤16		図番 DRAWING NO.	改訂 REV.
	16<L≤63		KT52299-2	-
	63<L≤250			
	250<L≤1000			
	角度 DEG			