

# EPSILON

Horizontal stand-up pouch machine



Epsilon stand-up pouch machine for liquids



SINCE 1965

# EPSILON

## Horizontal stand-up pouch machine

EPSILON is the new horizontal stand-up pouch machine by Universal Pack.

The piston pump dosing system allows to achieve accurate doses for any kind of liquid and dense product, including micro doses.

The machine works with pre-made pouches and fills them up in a safe environment.

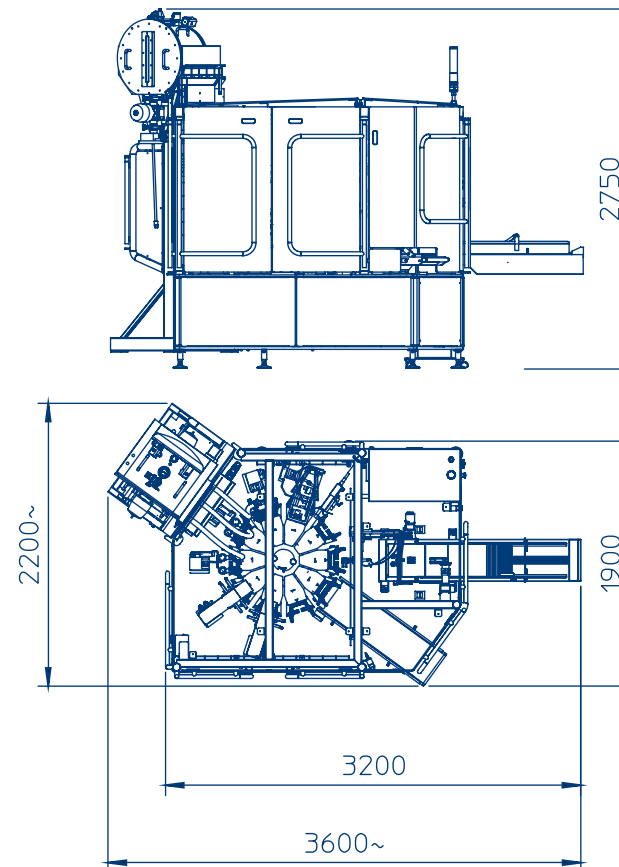
### Main features

- Modular machine
- Up & down nozzles to optimize precision and efficiency
- Multiple dosing head for multiple products up to 2 kg
- Specific anti-dripping system depending on the product
- Heat or ultrasonic sealing
- Independent station for cooling, spout/zip application etc.
- Information storage facility for data analysis
- Totally servo driven motorization

### Pouch style



### Machine layout



**UNIVERSAL-PACK**

SINCE 1965

[www.universalpack.it](http://www.universalpack.it)